

When writing
ALWAYS quote Austin Vehicle
Contract Number (Located on
the Dashboard).

Austin

“TEN”

MILITARY TYPE UTILITY VEHICLE
(WITH WATER PUMP)

LIST OF
SPARE PARTS

CONTRACT NUMBER
V.3887

THE

AUSTIN MOTOR CO. LTD.
LONGBRIDGE, 3, P. O. BOX 41
BIRMINGHAM

PUBLICATION 1896X

JUL 1940

583/561

When writing
ALWAYS quote Austin Vehicle
Contract Number (Located on
the Dashboard).

Austin

“TEN”

MILITARY TYPE UTILITY VEHICLE
(WITH WATER PUMP)

LIST OF SPARE PARTS

CONTRACT NUMBER
V.3887

—THE—
AUSTIN MOTOR CO. LTD.
LONGBRIDGE, :: P.O. BOX 41
BIRMINGHAM

PUBLICATION 1896A JULY, 1940

CAUTION

Parts of genuine Austin manufacture only should be used when a replacement is made, to ensure that the service given by the original parts shall be maintained by the replacement. Imitations cannot be relied upon to do this.

If imitations are used, the Company's guarantee is infringed and becomes null and void.

Always get your replacements from authorized Austin Dealers, as they stock only genuine Austin Spare Parts.

Should repairs be executed by other than an authorized Austin Dealer, for safety's sake always obtain a guarantee that genuine Austin Spare Parts are used.

Manufacturers' Warranty

THE goods manufactured by the Austin Motor Company Limited (hereinafter called "the Company") are supplied with the following express Warranty which excludes all warranties conditions and liabilities whatsoever implied by Common Law Statute or otherwise that is to say:—

In the event of any defect being disclosed in any part or parts of the goods and if the part or parts alleged to be defective are returned to the Company's Works carriage paid within six months from the date when the goods are delivered new to the retail customer the Company undertakes to examine same and should any fault due to defective materials or workmanship be found on examination by the Company it will repair the defective part or supply free of charge a new part in place thereof. This Warranty is limited to the delivery to the purchaser free at the Company's Works of the part or parts whether new or repaired in exchange for those acknowledged by the Company to be defective.

The Company gives no warranty of the goods except as herein stated but desires and expects that customers shall make a thorough examination before purchasing. Persons dealing in the Company's goods are in no way the legal Agents of the Company and have no right or authority to assume any obligation on its behalf express or implied or to bind it in any way.

For the purpose of this Warranty the term "goods" means and includes new cars or vans or chassis or parts thereof including replacement parts manufactured by the Company. It does not include tyres speedometers or Electrical Equipment or other proprietary articles or goods (including coach work) not of the Company's own manufacture although supplied by the Company. Proprietary articles are covered by the warranty (if any) given by the separate manufacturers. On second-hand goods no warranty is given by the Company or is to be implied.

The Company's responsibility is limited to the terms of this Warranty and it shall not be answerable for personal injuries or consequential or resulting liability damage or loss arising from any defects. This Warranty shall not apply to defects caused by motor racing, wear and tear, or neglect or to the defects in any goods which have been altered outside the Company's Works or which have been let out on hire or the identification numbers or marks on which have been altered or removed.

This Warranty is dependent upon the strict observance by the Purchaser of the following provisions:—

The Purchaser shall at the time of purchase personally sign the form supplied by the Company and register his name address date of purchase price paid and car and chassis numbers and name address of Seller with the Company and shall obtain from the Company a signed copy of this Warranty and shall produce the same to the Company's representative for inspection in case of any claim being made. This Warranty shall not be assigned or transferred to anyone unless the Company's consent in writing has first been obtained.

The Purchaser shall send to the Company's Works such part or parts as are alleged or claimed to be defective promptly on the discovery of the claimed defect. Transportation is to be prepaid by the Purchaser and said part or parts to be properly packed for transit and clearly marked for identification with the name and full address of the Purchaser and with the car and chassis numbers of the vehicle from which the said part or parts were taken.

The Purchaser shall post to the Company at its Works on or before despatch of such part or parts alleged to be defective a full and complete description of the claim and the reasons therefor.

The judgment of the Company in all cases of claims shall be final and conclusive and the Purchaser agrees to accept its decision on all questions as to defects and to the exchange of part or parts. After the expiration of six days from the despatch of notification of the Company's decision, the part or parts submitted may be scrapped or returned carriage forward by the Company.

TERMS OF BUSINESS

All Austin Agents carry stocks of genuine Austin Replacements and applications for Spare Parts should be made to them. Clients will then be certain that the replacement is made by parts manufactured by the Austin Company and carrying their high reputation for quality and workmanship.

Correspondence with the Company relating to Spare Parts, Accessories and Replacements should be addressed to the Service Department.

All Prices are "at works" carriage or postage extra.

Packing cases charged if not returned carriage paid to the Company's works within 28 days.

Quotations hold good for 14 days from date, but those in respect of proprietary articles are subject to any alteration made by the makers in their list prices.

Cash with order, unless purchaser already has an account with the Company or is able to furnish approved references.

In consequence of alterations and improvements, the Company in no way holds itself liable or responsible as to alteration in details in respect to orders.

The Company retains the right of making alterations to this list without notice, should it be deemed necessary.

Delivery on any specified date is not guaranteed.

TELEGRAPH AND TELEPHONE ORDERS.

To protect itself against fraud, the Company is compelled to decline to deliver goods ordered by telegram or telephone to the address of any persons unknown to it, unless covered by telegraphic remittance.

DAMAGE IN TRANSIT.

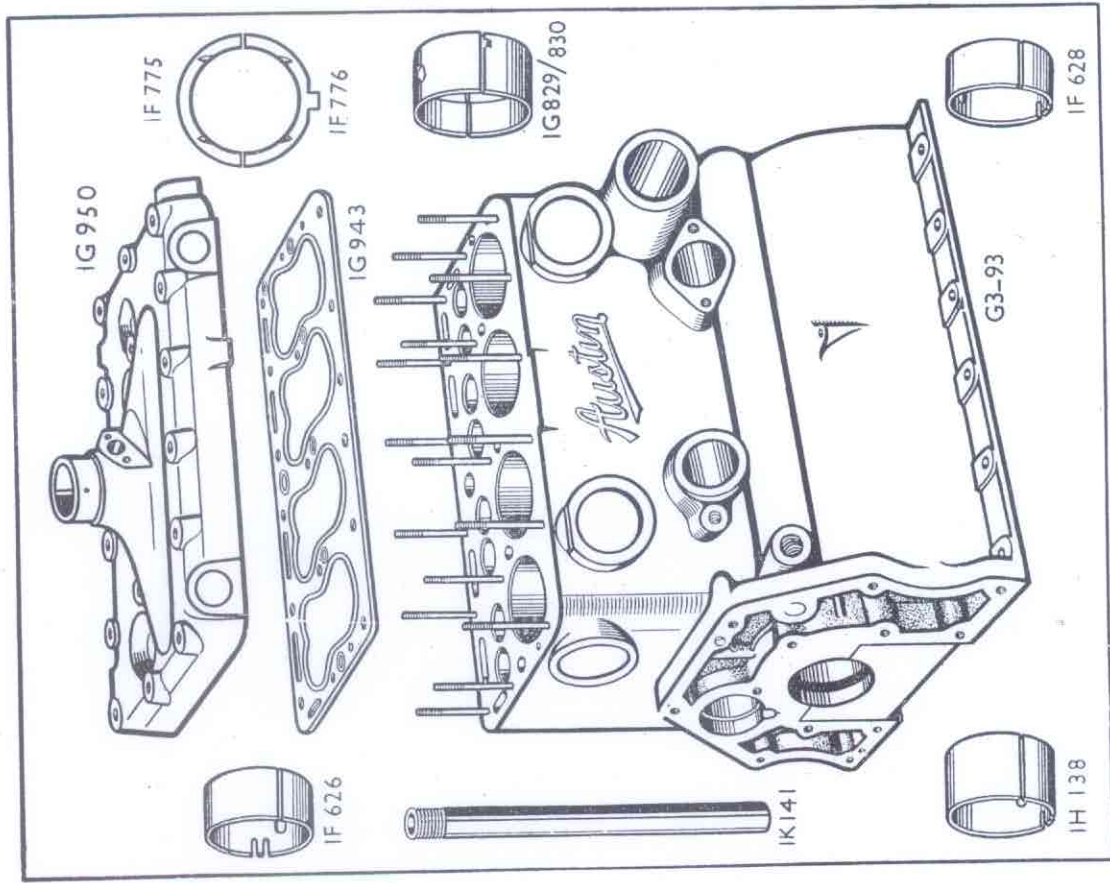
The Company does not hold itself responsible for goods lost or damaged in transit. All packages, upon receipt, should be signed for as "unexamined," and in the event of loss or damage to the contents, claim made upon the carriers without delay.

INDEX

	Page
Air Cleaner	22
Air Strangler	34
Ammeter	34
Axle, Front	44
Axle, Rear	62
Batteries	32
Battery Fixings	92
Bonnet	74
Brake Controls	58
Bumpers	96
Cab and Body Panels	87
Cables, Wiring	34
Camshaft	12
Carburettor	22
Casings	85
Change Speed Gear	38
Clips for Pipes and Cables	36
Clutch	42
Coil	32
Connecting Rods	14
Controls, Engine	20
Controls, Brake	58
Covers and Floorboards	89
Crankcase	6
Crankshaft	12
Cut-out	34
Cylinder	6
Differential	62
Distributor	32
Doors and Fittings	80
Dynamo	32
Engine Assembly	6
Engine Controls	20
Engine Mountings	8
Exhaust Manifold	22
Exhaust Pipe	24
Fan	16
Ferrules for Cables	36
Fire Extinguisher	91
Floorboards and Covers	89
Fitch Plates	74
Flywheel	42
Foot Controls	58
Frame	54
Front Axle Assembly	44
Front Wings	94
Gauges	34
Gearbox Assembly	38
Generator	32
Glass Channels	82
Gun Mounting	91
Handbrake	58
Hand Controls	58
Horn	34
Hub, Front	44
Hub, Rear	62
Ignition Coil	32
Instruments	32
Instrument Panel	97
Induction Pipe	22
Lamps and Fittings	32
Layshaft and Gears	40
Metal Mouldings	84
Mirror	97
Miscellaneous Body Parts	97
Mouldings	84
Monobloc	6
Mudwings	94
Oil Gauge	34
Oil Pump	10
Oil Reservoir	10
Oversize Parts	99
Panels	87
Pedal Controls	58
Petrol Piping	30
Petrol Pump	22
Petrol Tank	28
Piping, Oil and Petrol	30
Pistons	14
Propeller Shaft	66
Proprietary Parts	99
Pump, Oil	10
Pump, Water	18
Radiator and Cowl	26
Radiator Muff	97
Rear Axle Assembly	62
Rear Wings	94
Reverse Gears	40
Rifle Clip	85
Road Wheels	70
Rubber Ferrules	36
Seats	86
Shock Absorbers	68
Silencer	24
Speedometer	32
Speedometer Gears	40
Springs and Shackles	56
Spare Wheel Carrier	92
Steering Assembly	48
Steering Rods	52
Steering Column Bracket	97
Starter Motor	32
Starter Control	32
Starting Handle	16
Sump	10
Sun Vizor	97
Swivel Axle	44
Tail Pipe	24
Tank, Petrol	28
Tappets	14
Tail Board	87
Thermometer	34
Thermostat	26
Timber, Cab and Body	88
Tilt	93
Tilt Tubes	93
Tools	72
Tool Boxes	90
Trafficators	97
Undersize Parts	99
Valves	14
Vizor	97
Water Connections	18
Water Pump	18
Weatherstrips	84
Wheels	70
Wiring	34
Wings	94
Windscreen	76
Windscreen Wiper	78
Window Regulators	82

CYLINDER AND CRANKCASE

Part Number	DESCRIPTION	Number per vehicle
G3-123AB	Engine Assembly with flywheel, clutch, fan, water pump, carburetter, air cleaner, petrol pump, dynamo, distributor, starter and H.T. cables ...	1
G3-93	Cylinder and Crankcase with plugs, studs, main bearings, valve guides and pistons ...	1
2K 8169	Welch Plugs for cylinder ...	4
2K 6649	Brass Plugs for oil gallery ...	2
1G 950	Cylinder Head ...	1
1G 943	Joint Washer ...	1
2K 5018	Studs for cylinder head ...	13
2K 5088	Studs for cylinder head and dynamo bracket	4
2K 3977	Nuts for studs ...	17
2K 5646	Washers for studs 2K 5018 ...	13
2K 5863	Spring Washers for studs 2K 5088 ...	4
1G 829/830	Main Bearings ...	3 prs.
1F 775	Thrust Washers—upper ...	2
1F 776	Thrust Washers—lower ...	2
1K 141	Drain Pipe for rear bearing ...	1
1G 837	Joint Washers for bearing caps ...	2
2K 6142	Studs for main bearings ...	6
2K 5969	Nuts for studs ...	6
2K 1239	Split Pins ...	6
1H 138	Liner for camshaft bearing—front ...	1
1F 626	Liner for camshaft bearing—middle ...	1
1F 628	Liner for camshaft bearing—rear ...	1
1G 832	Front Cover with oil catcher, thrust button, stiffening washer, felt and felt retainer...	1
2K 6609	Felt Ring ...	1
1E 679	Thrust Button ...	1
1G 891	Joint Washer ...	1

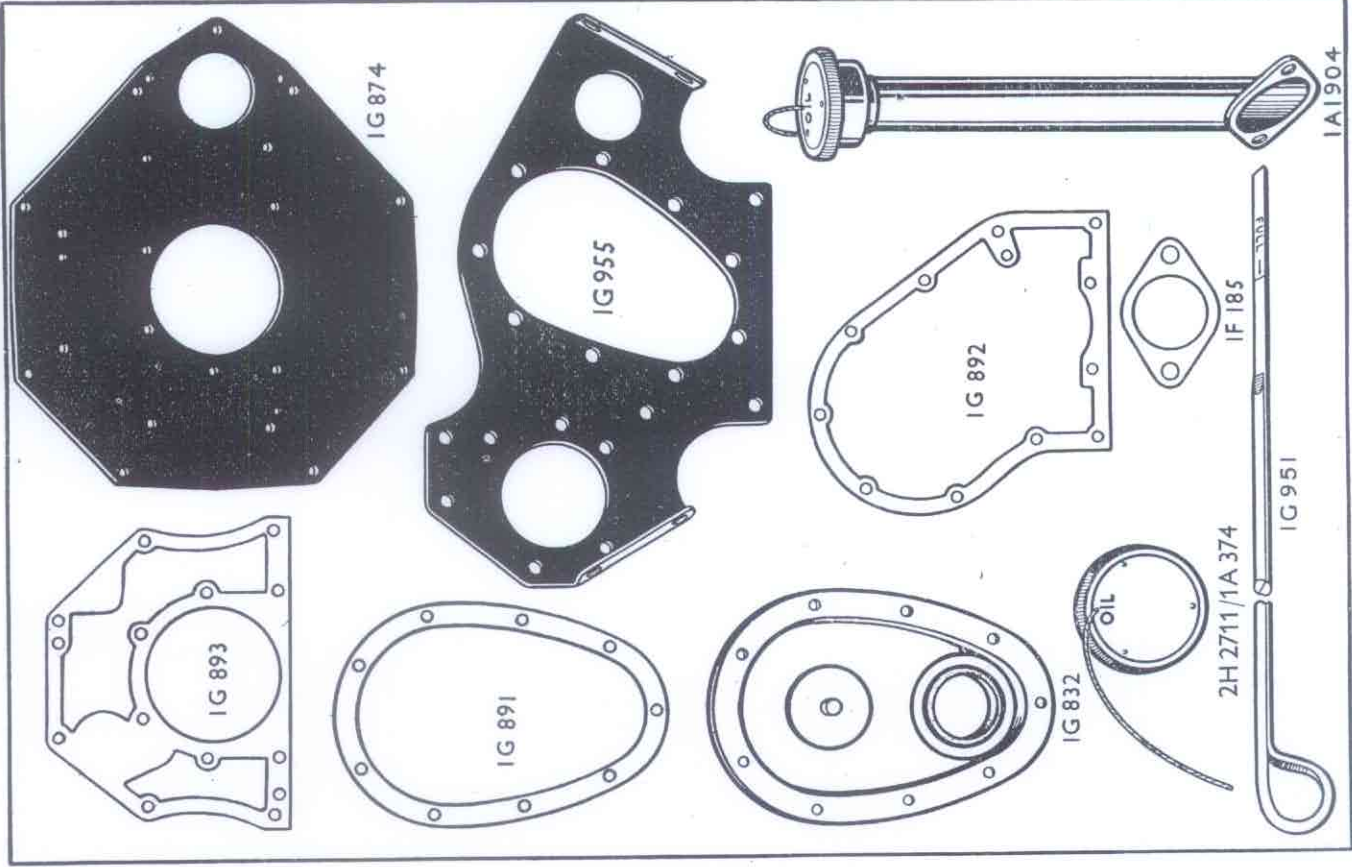


W10 1B

3887/56/1

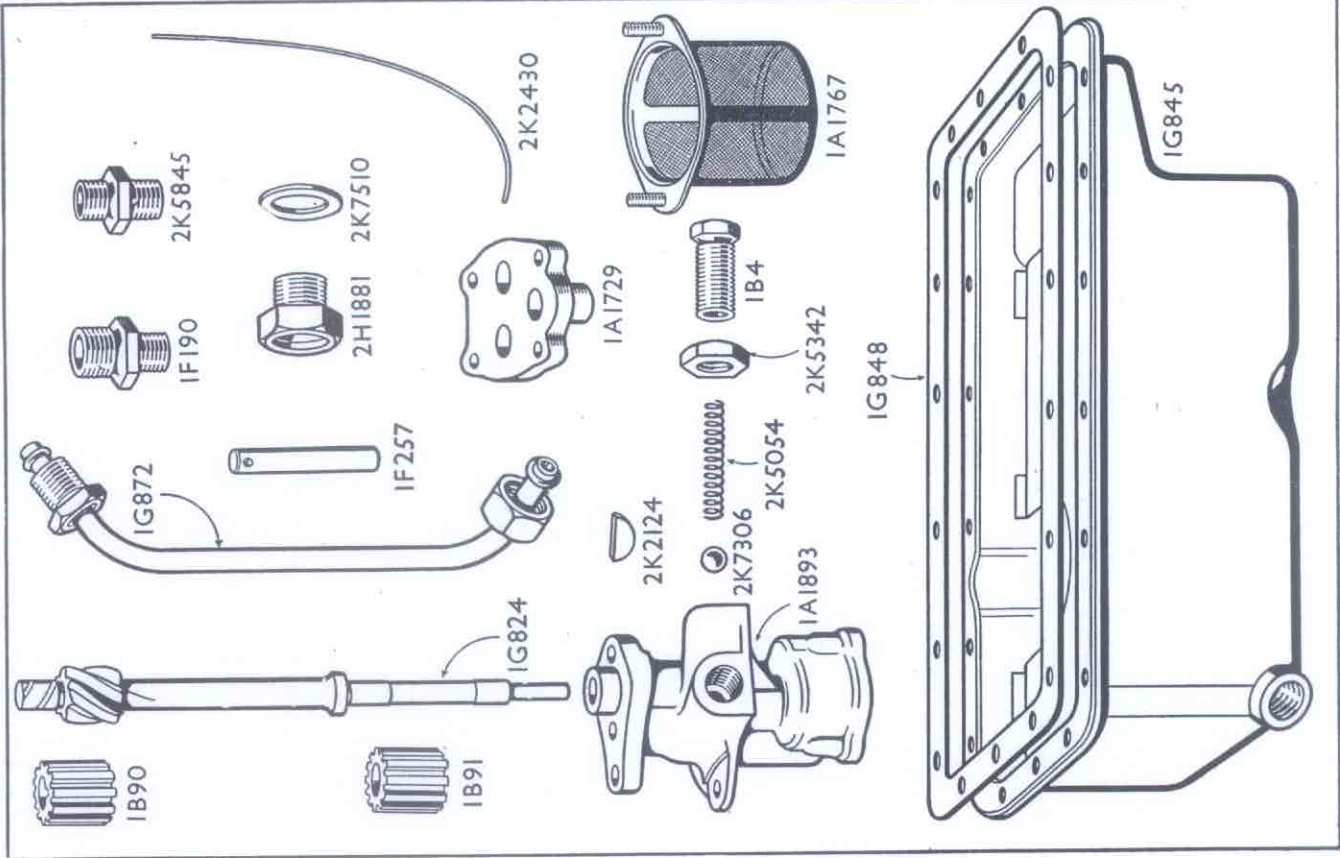
CYLINDER AND CRANKCASE—contd.

Part Number	DESCRIPTION	Number per vehicle
IG 955	Engine Front Support Plate	1
IG 892	Joint Washer	1
2K 3047	Setscrews, support plate and front cover to front bearing cap	2
2K 1210	Spring Washers	2
2K 3092	Setscrews, support plate and front cover to crankcase	7
2K 6079	Setscrews, support plate to crankcase	3
2K 1211	Spring Washers	10
IG 874	Mounting Plate for Gearbox to Crankcase	1
IG 752	Dowels	2
IG 893	Joint Washer	1
2K 3136	Setscrews, mounting plate to crankcase	8
2K 5069	Lockwashers	2
2K 5774	Lockwashers	2
2K 3092	Setscrews, mounting plate to crankcase	4
2K 8788	Lockwashers	2
IA 1904	Oil Filler Tube and Flange with filler cap and cable	1
IF 185	Joint Washer	1
2K 3047	Setscrews for flange to crankcase	2
2K 1210	Spring Washers	2
2H 2711/ IA 374	Oil Filler Cap and Cable	1
IG 951	Oil Dipper Rod	1



OIL PUMP AND RESERVOIR

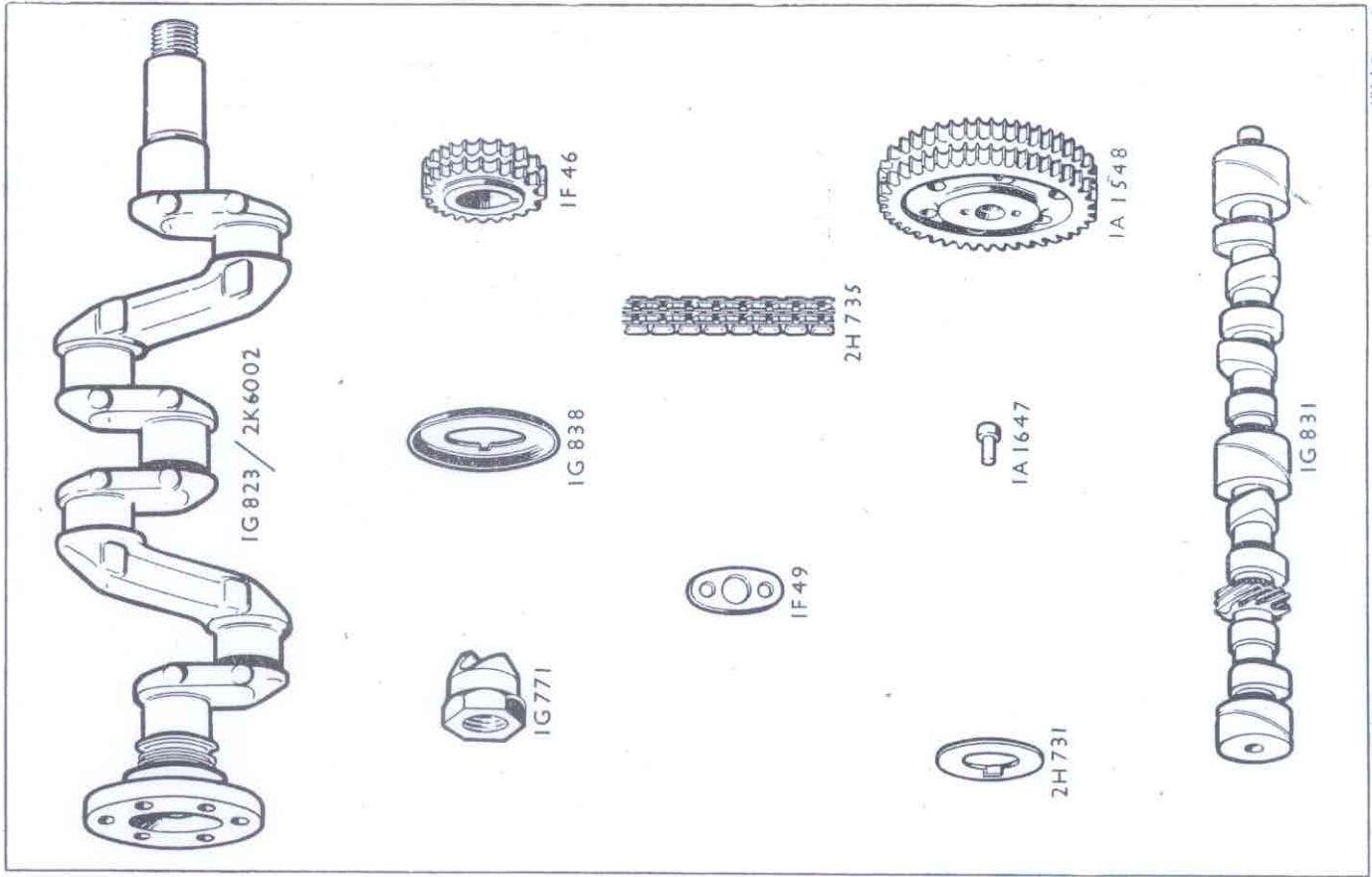
Part Number	DESCRIPTION	Number per vehicle
G3-58	Oil Pump Assembly	1
1A 1893	Oil Pump Body	1
2K 3449	Studs in crankcase	2
2K 3976	Nuts	2
2K 1211	Spring Washers	2
1A 1729	Bottom Cover	1
2K 5025	Setscrews	4
2K 2430	Locking Wire	1
1G 824	Driving Spindle	1
2K 2124	Key	1
1B 90	Driving Gear	1
1B 91	Driven Gear	1
1F 257	Pin for driven gear	1
2K 1239	Split Pin	1
1A 1767	Strainer Frame with gauze	1
2K 3047	Bolts, strainer frame to pump body	2
2K 3975	Nuts	2
2K 1210	Spring Washers	2
2K 7306	Oil Release Valve Ball	1
2K 5054	Spring	1
1B 4	Adjuster for release valve	1
2K 5342	Locknut	1
2K 6026	Lockwasher	1
1G 872	Oil Delivery Pipe with gland and union nuts	1
1F 190	Union for oil delivery pipe	1
2K 5845	Union for Oil Gauge Pipe	1
2K 4954	Washer	1
1G 845	Oil Reservoir with oil tray	1
1G 848	Joint Washer	1
2H 1881	Plug	1
2K 7510	Washer for plug	1
2K 8425	Setscrews to crankcase	18
2K 5197	Washers	18
2K 1210	Spring Washers	18



W10 3 A

CRANKSHAFT, CAMSHAFT AND GEARS

Part Number	DESCRIPTION	Number per vehicle
1G 823/ 2K 6002	Crankshaft with plug	1
1G 838	Oil Thrower, front	1
1G 771	Starting Nut...	1
2H 731	Lockwasher	1
1F 46	Crankshaft Gear	1
2K 5578	Keys	2
2K 8744	Packing Washer	1
1G 831	Camshaft	1
1A 1548	Camshaft Gear	1
2K 5265	Setscrews, gear to shaft	2
1F 49	Lockwasher	1
1A 1647	Thrust Button...	1
2H 735	Chain for Camshaft	1

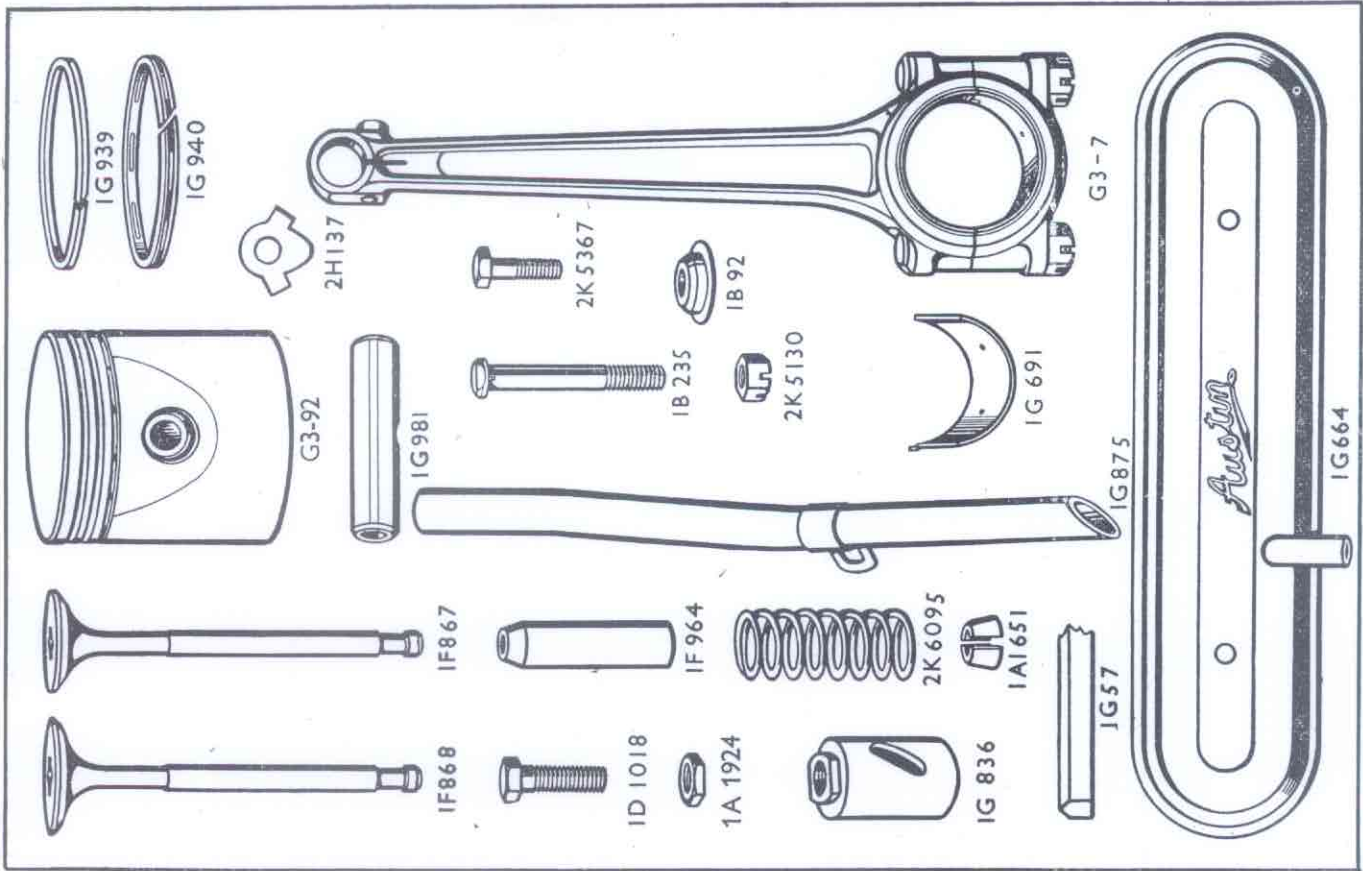


VALVES, TAPPETS AND VENT PIPE

Part Number	DESCRIPTION	Number per vehicle
IF 868	Inlet Valves ...	4
IF 867	Exhaust Valves ...	4
2K 6095	Valve Springs ...	8
IB 92	Valve Spring Cups ...	8
1A 1651	Valve Split Cotters (halves) ...	8 prs.
IG 836	Tappets ...	8
ID 1018	Screws ...	8
1A 1924	Locknuts ...	8
IF 964	Valve Guides ...	8
IG 664	Valve Spring Cover with elbow for vent pipe ...	1
IG 57	Jointing ...	1
2K 6335	Setscrews ...	2
2K 6337	Fibre Washers ...	2
IG 875	Vent Pipe with clip ...	1
2K 6146	Setscrew, vent pipe to crankcase ...	1
2K 1211	Spring Washer ...	1

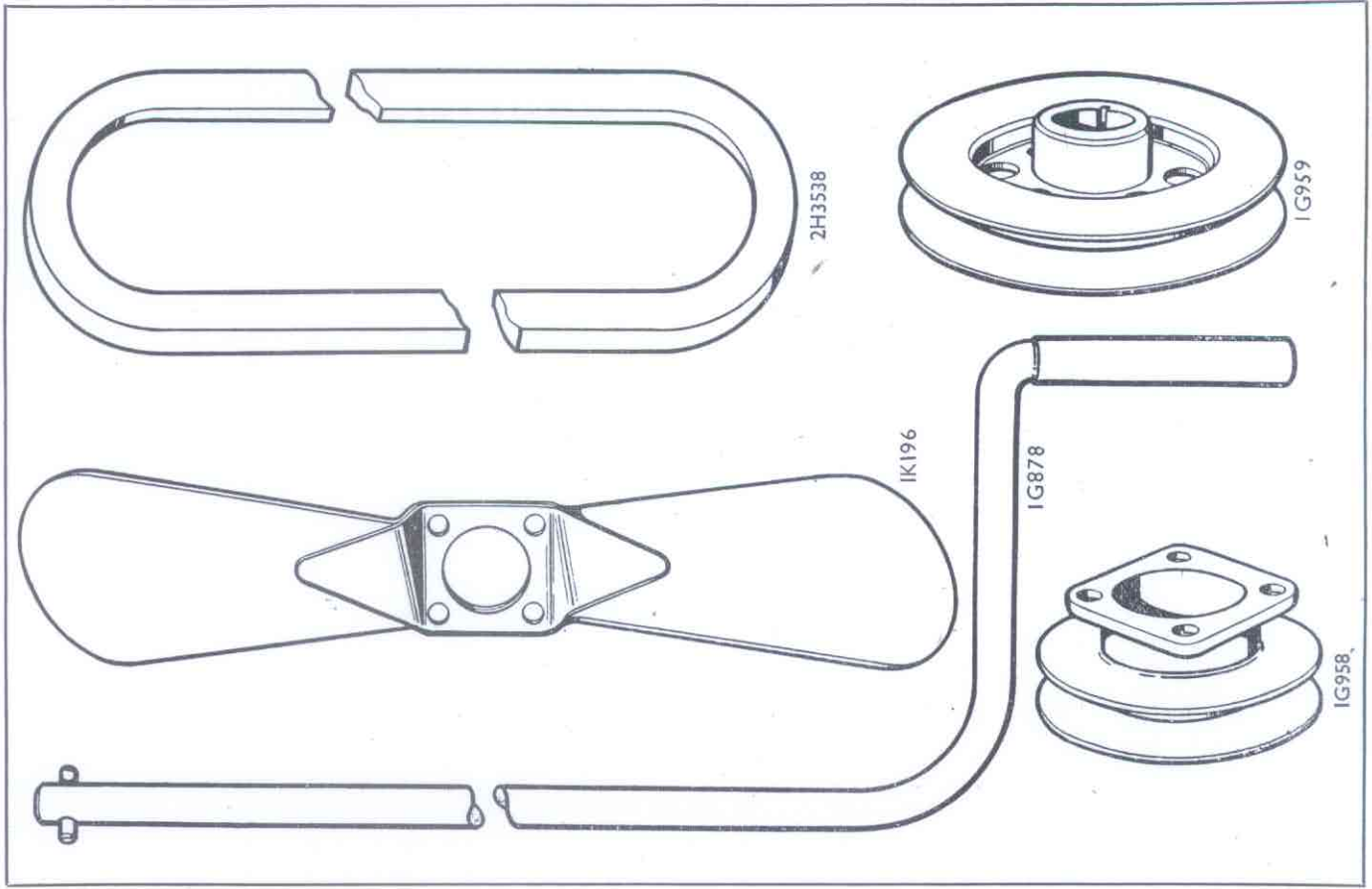
CONNECTING RODS AND PISTONS

Part Number	DESCRIPTION	Number per vehicle
G3-7	Connecting Rods and Caps with bearings for cylinders 1 and 3 ...	2
G3-8	Connecting Rods and Caps with bearings for cylinders 2 and 4 ...	2
IG 691	Bearings (halves) ...	4 prs.
IB 235	Bolts ...	8
2K 5130	Nuts ...	8
2K 6129	Pegs ...	8
2K 1232	Split Pins ...	8
2K 5367	Clamping Bolts ...	4
2H 137	Lockwashers ...	4
G3-92	Pistons with rings and gudgeon pins ...	4
IG 939	Piston Rings ...	8
IG 940	Scrapers Rings ...	4
IG 981	Gudgeon Pins ...	4



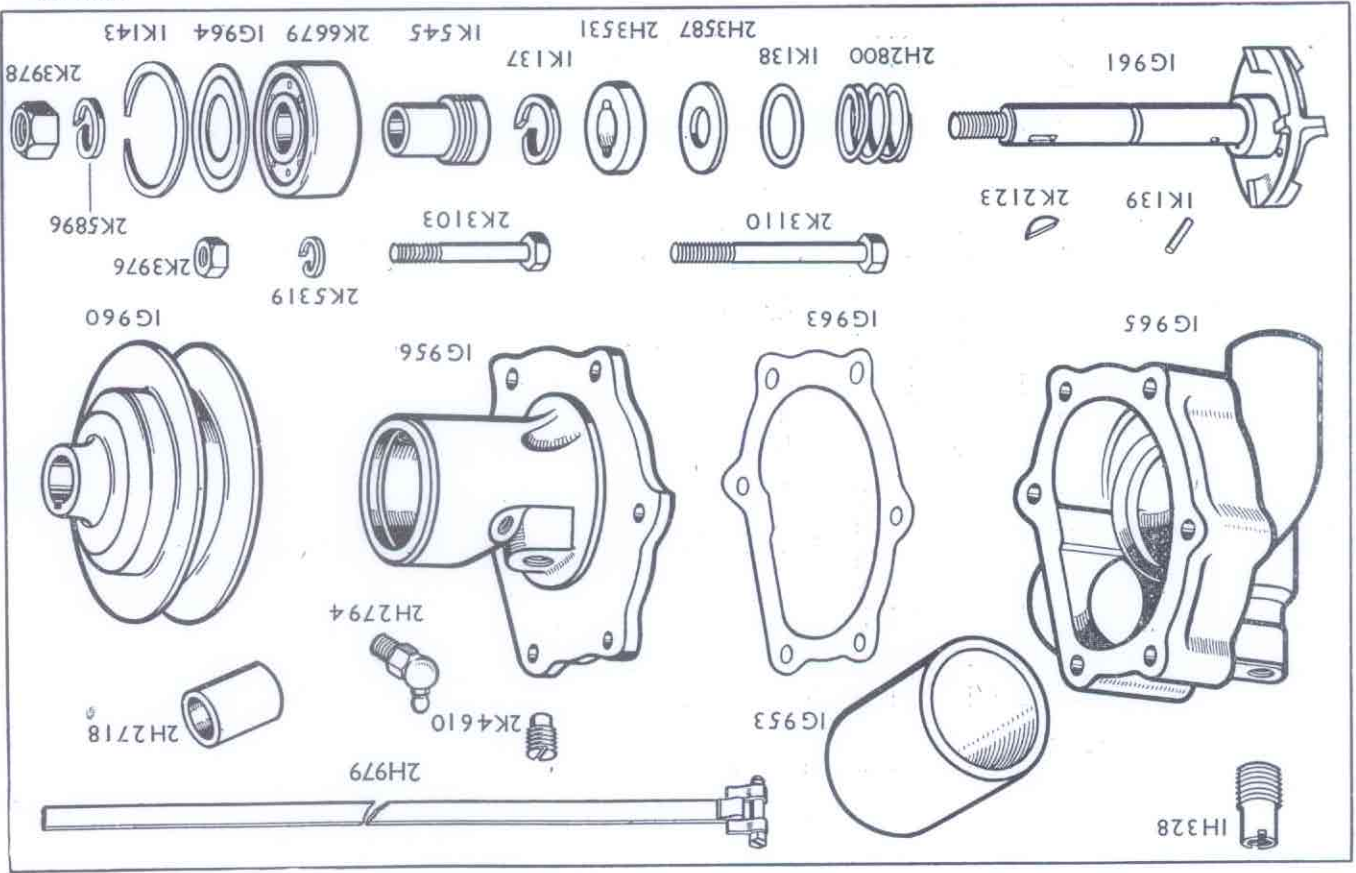
FAN AND STARTING HANDLE

Part Number	DESCRIPTION	Number per vehicle
1K 196	Fan Blades	2
2K 3048	Setscrews, fan to pulley	4
2K 5894	Spring Washers	4
1G 958	Fan and Dynamo Pulley	1
2H 3538	Fan and Dynamo Belt	1
1G 959	Fan and Dynamo Driving Pulley	1
1G 878	Starting Handle	1



WATER PUMP

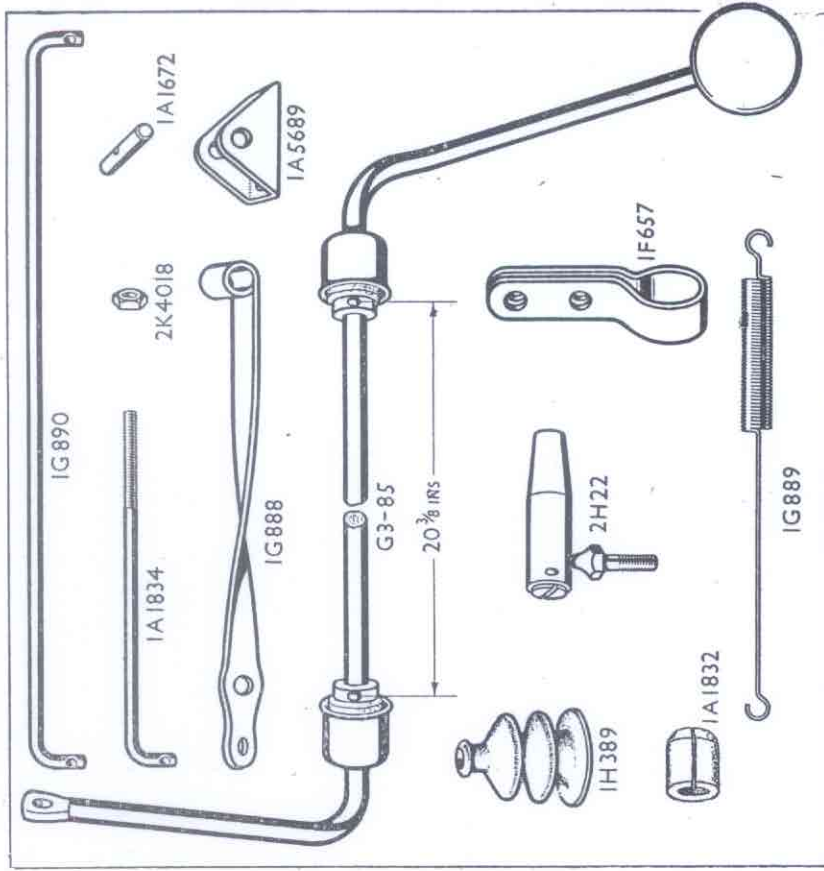
Part Number	DESCRIPTION	Number per vehicle
G3-121	Water Pump Assembly ...	1
2K 3103	Bolts to front support plate ...	5
2K 3110	Bolt to front support plate ...	1
2K 3976	Nuts for bolts ...	6
2K 5319	Spring Washers ...	6
1G 956	Water Pump Body with Oil-less Bush ...	1
2H 2718	Oil-less Bush ...	1
2K 4610	Plug for oil hole... ..	1
2H 2794	Grease Nipple ...	1
1G 963	Joint Washer ...	1
1G 961	Spindle with Vane and Key ...	1
2K 3978	Nut for spindle ...	1
2K 5896	Spring Washer ...	1
2K 6679	Ball Bearing, $\frac{3}{4} \times 1\frac{1}{8} \times \frac{9}{16}$ in. ...	1
1K 143	Spring Ring ...	1
1G 964	Grease Retainer ...	1
1K 545	Collar for Spindle ...	1
1K 137	Spring Ring ...	1
1K 139	Driving Pin ...	1
2H 3531	Carbon Sealing Ring... ..	1
2H 3587	Rubber Washer ...	1
2H 2800	Spring ...	1
1K 138	Cup Washer ...	1
1G 965	Water Pump Cover ...	1
1H 328	By-Pass Connection ...	1
1G 953	Rubber Connection—Pump to Engine ...	1
2H 979	Clips ...	2
1G 960	Pulley ...	1
2K 2123	Key ...	1



W10 40A

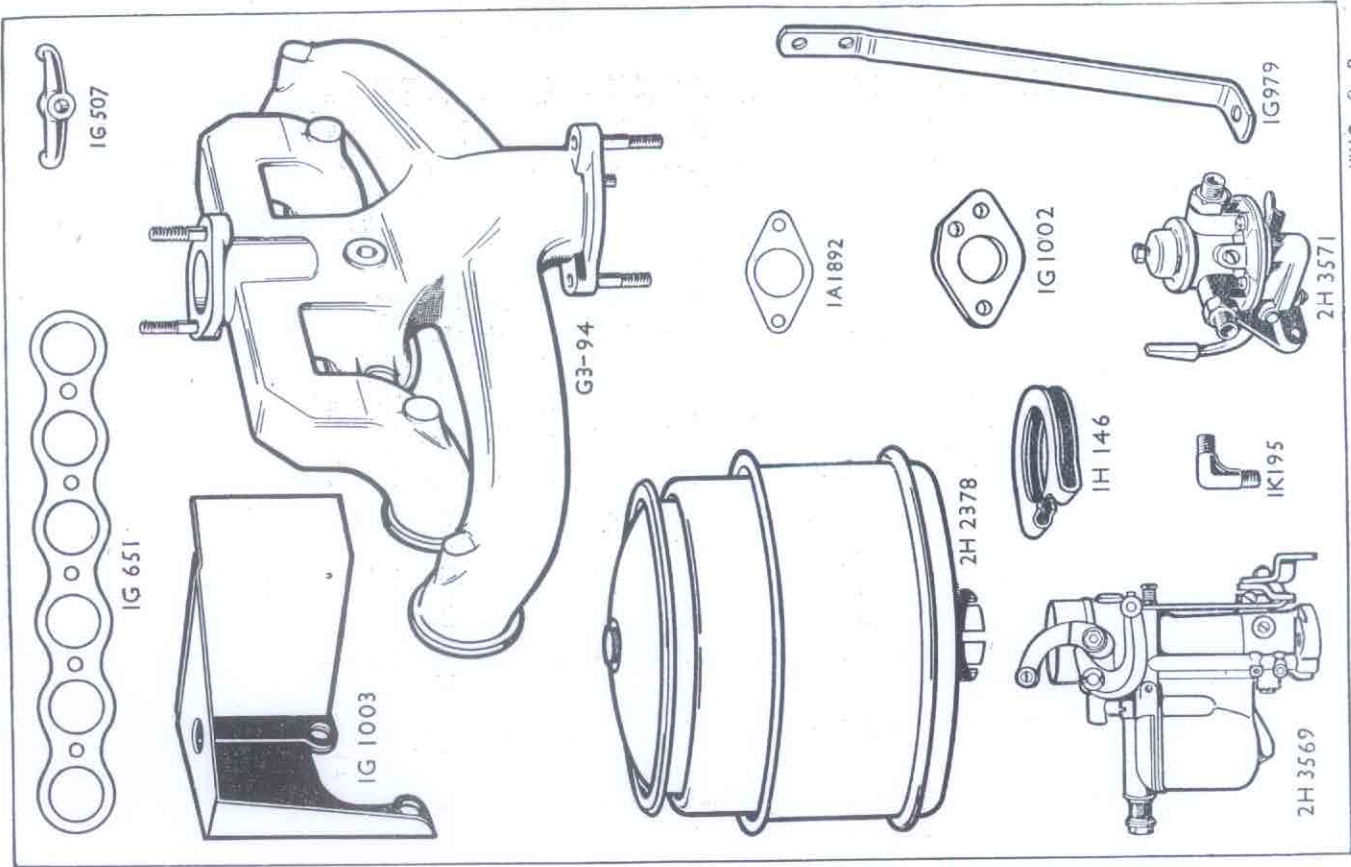
ENGINE CONTROLS

Part Number	DESCRIPTION	Number per vehicle
G3-85	Accelerator Shaft and Lever with pad, felts, cups and collars	1
1A 1832	Felts	2
1F 657	Accelerator Shaft Supports	2
1H 389	Rubber Seal	1
2K 3046	Bolts, support to dash	4
2K 3975	Nuts	4
2K 1210	Spring Washers	4
1G 889	Accelerator Pedal Return Spring	1
1G 890	Control Rod, long	1
1A 1834	Control Rod, short	1
2K 4018	Locknut for short control rod	1
2K 2546	Double coil spring washers	2
2K 1224	Split Pins	2
2H 22	Ball Joint for short control rod	1
2K 4012	Nut	1
2K 1209	Spring Washer	1
1G 888	Throttle Control Link	1
1A 1672	Pivot for link	1
2K 1231	Split Pin	1
1A 5689	Bracket for throttle control link	1



INDUCTION, CARBURETTER AND PETROL PUMP

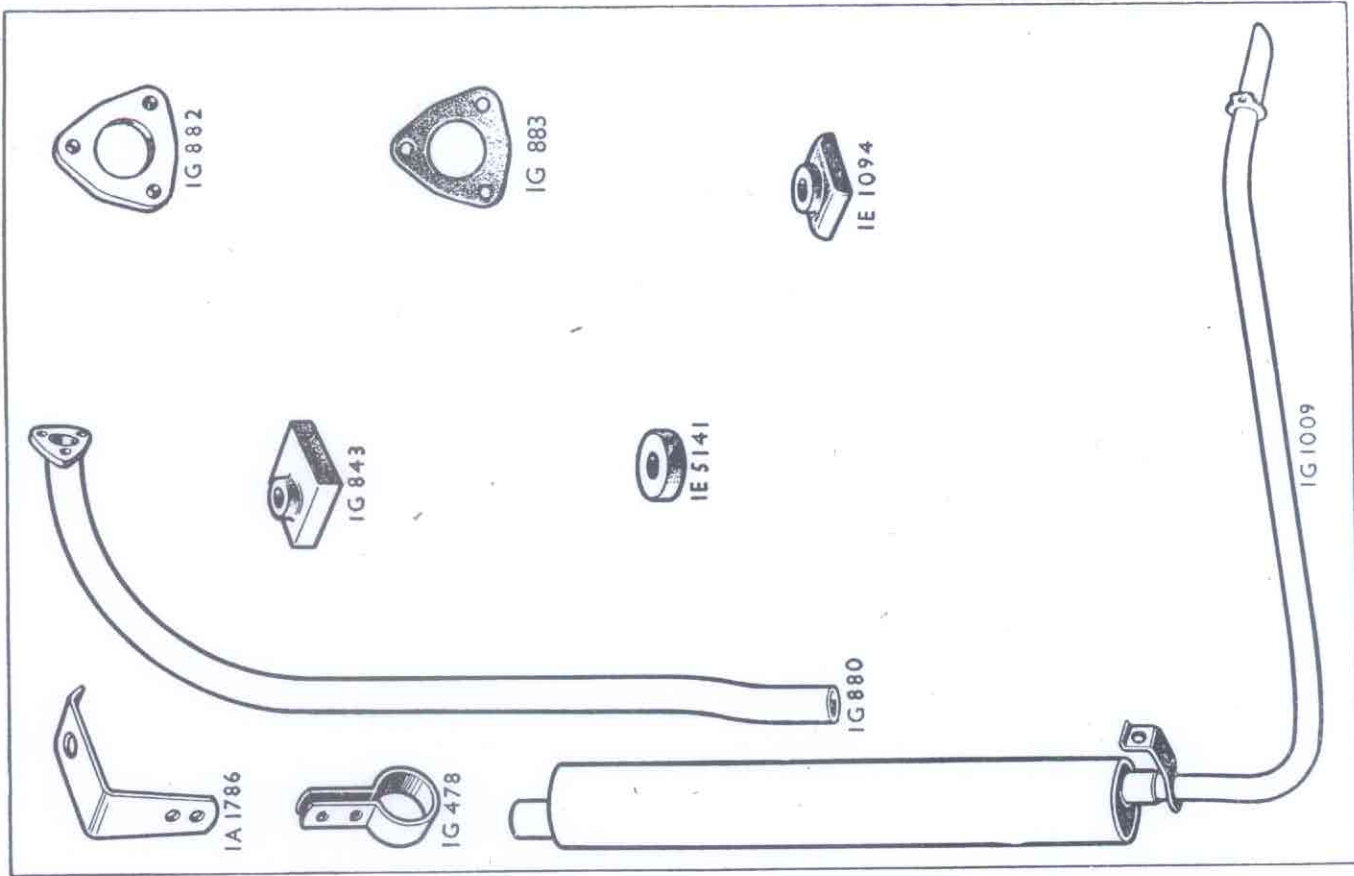
Part Number	DESCRIPTION	Number per vehicle
G3-94	Induction and Exhaust Manifold with studs for carburetter and exhaust ...	1
1G 507	Clamping Yokes for manifold ...	2
1G 651	Joint Washer for manifold ...	1
2K 6574	Studs for manifold in cylinder	2
2K 8384	Studs for manifold in cylinder	2
2K 6579	Stud for manifold in cylinder	1
2K 6681	Nuts for studs ...	5
2K 1203	Washers ...	5
2H 3569	Carburetter ...	1
1A 1892	Insulating Washer ...	1
2K 8391	Studs, carburetter to manifold	2
2K 3976	Nuts ...	2
2K 1211	Spring Washers ...	2
1K 195	Elbow for carburetter to vacuum ignition control pipe ...	1
2H 3571	Petrol Pump ...	1
1G 1002	Insulating Washer ...	1
2K 3452	Studs in crankcase ...	2
2K 3976	Nuts ...	2
2K 1211	Spring Washers ...	2
1G 1003	Screen for Petrol Pump ...	1
2H 2378	Silencer and Air Cleaner ...	1
1H 146	Clip for cleaner ...	1
2K 3060	Bolt for clip ...	1
2K 3975	Nut for bolt ...	1
2K 1202	Washer ...	1
2K 1210	Spring Washer ...	1
1G 979	Stay for silencer and air cleaner	1
2K 3047	Setscrews for stay ...	2
2K 1210	Spring Washers ...	2



W10. P. B.

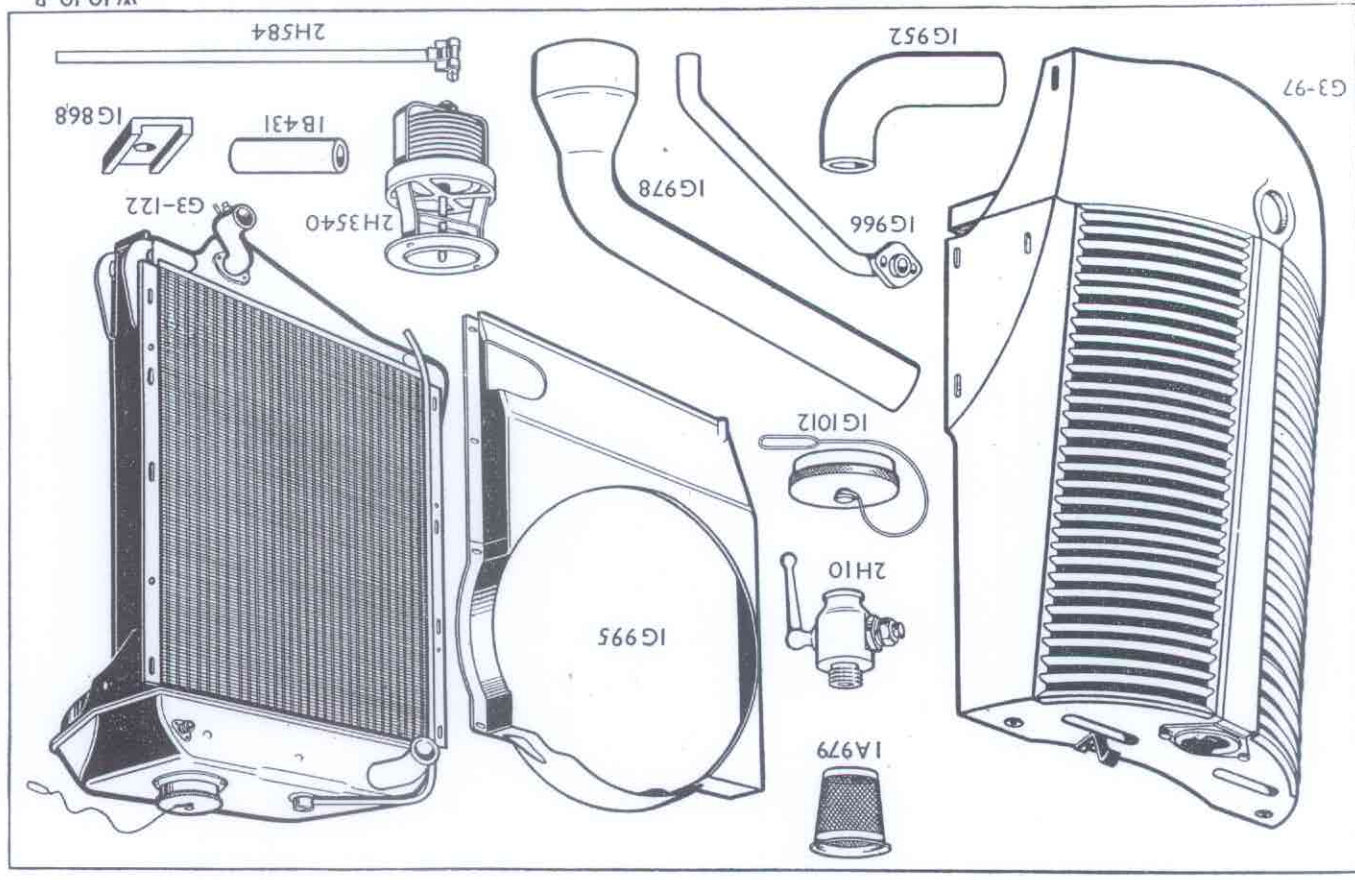
EXHAUST AND SILENCER

Part Number	DESCRIPTION	Number per vehicle
IG 880	Exhaust Pipe with flange	1
IG 882	Exhaust Pipe Flange	1
IG 883	Joint Washer	1
2K 6680	Studs for exhaust pipe in manifold	3
2K 6682	Nuts	3
2K 1210	Spring Washers	3
IG 478	Clip for Silencer, front end	1
1A 1786	Support for Exhaust Pipe and Silencer	1
2K 3093	Bolts, support to clip	2
2K 3976	Nuts	2
2K 1211	Spring Washers	2
2K 9447	Washer—clip bolt, top	1
IG 1009	Silencer and Tail Pipe with support brackets	1
IG 843	Front Mounting, upper	1
1E 5141	Front Mounting, lower	1
2K 4915	Bolt, front mounting to frame	1
2K 8981	Washer	1
2K 3995	Nut	1
2K 1231	Split Pin	1
1E 1094	Rear Mounting, upper	1
1E 5141	Rear Mounting, lower	1
2K 5180	Bolt for mounting	1
2K 3995	Nut for mounting bolt	1
2K 8981	Washer	1
2K 1231	Split Pin	1



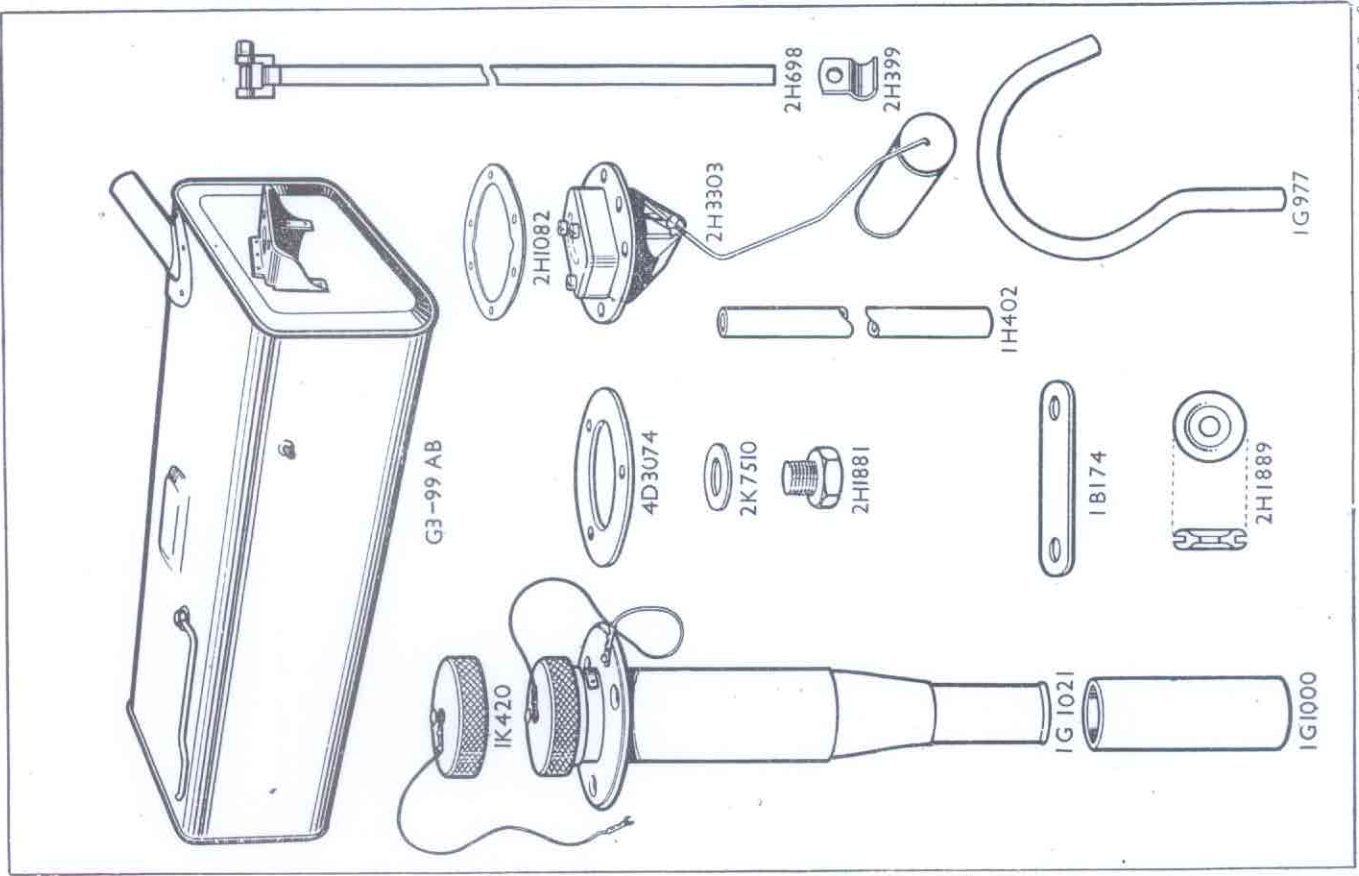
RADIATOR and THERMOSTAT

Part Number	DESCRIPTION	Number per vehicle
G3-122	Radiator with filler cap, strainer, relief valve and drain tap	1
1G 1012	Filler Cap and Cable	1
2K 7210	Washer for filler cap	1
1A 979	Filler Strainer	1
1A 963	Relief Valve Cap	1
1A 990	Relief Valve	1
2K 5872	Relief Valve Pressure Spring	1
2H 10	Drain Tap	1
2K 6554	Washer for drain tap optional thickness to determine position	1
2K 5629	Washer for drain tap determine position	1
1G 952	Rubber Connection—Radiator to Pump	1
2H 584	Clips	2
1G 978	Rubber Connection—Radiator to Cylinder Head	1
2H 584	Clip—radiator end	1
2H 2631	Clip—cylinder end	1
2H 3540	Thermostat	1
2K 2354	Bifurcated Rivets to cylinder head	2
1G 966	By-Pass Tube with Flange	1
1E 1078	Joint Washer	1
2K 3047	Setscrews to cylinder head	1
2K 1210	Spring Washers	2
1B 431	Rubber Connection for By-Pass Tube	1
2H 3300	Clips	2
G3-97	Radiator Cowl with Cam for Bonnet Lock and Bonnet Safety Catch	1
4A 276	Centre Plate for fixing grille bar	1
2K 3942	Screws to cowl bottom plate	1
2K 4012	Nuts for screws	2
2K 1201	Plain Washers	2
2K 1209	Spring Washers	2
2H 5329	Coach Bolts to cowl centre strip	3
2K 3975	Nuts for coach bolts	3
2K 1210	Spring Washers	3
4A 197	Cam for bonnet lock	1
2K 3046	Bolts for cam	1
2K 9993	Washers	2
2K 1210	Spring Washers	2
4A 270	Safety Catch for bonnet	1
4A 271	Washer Plate	1
2K 3929	Screws	2
2K 4013	Nuts for screws	2
2K 9161	Special Washers	2
2K 1366	Spring Washers	2
1G 868	Rubber Pads for radiator support	4
1G 922	Location Plates	4
1A 1878	Bolts for radiator support	2
2K 3994	Nuts	2
2K 1225	Split Pins	2
2K 5961	Rubber Washer, Top Bracket to Cowl	1
2K 9799	Steel Washer	1
2K 3994	Nut for setscrew in cowl top plate	1
2K 1225	Split Pin	1
1G 995	Cowl for Radiator Fan	1
2K 3046	Bolts to radiator	1
2K 2530	Nuts for bolts	8
2K 1202	Washers	8
2K 1210	Spring Washers	8



PETROL TANK

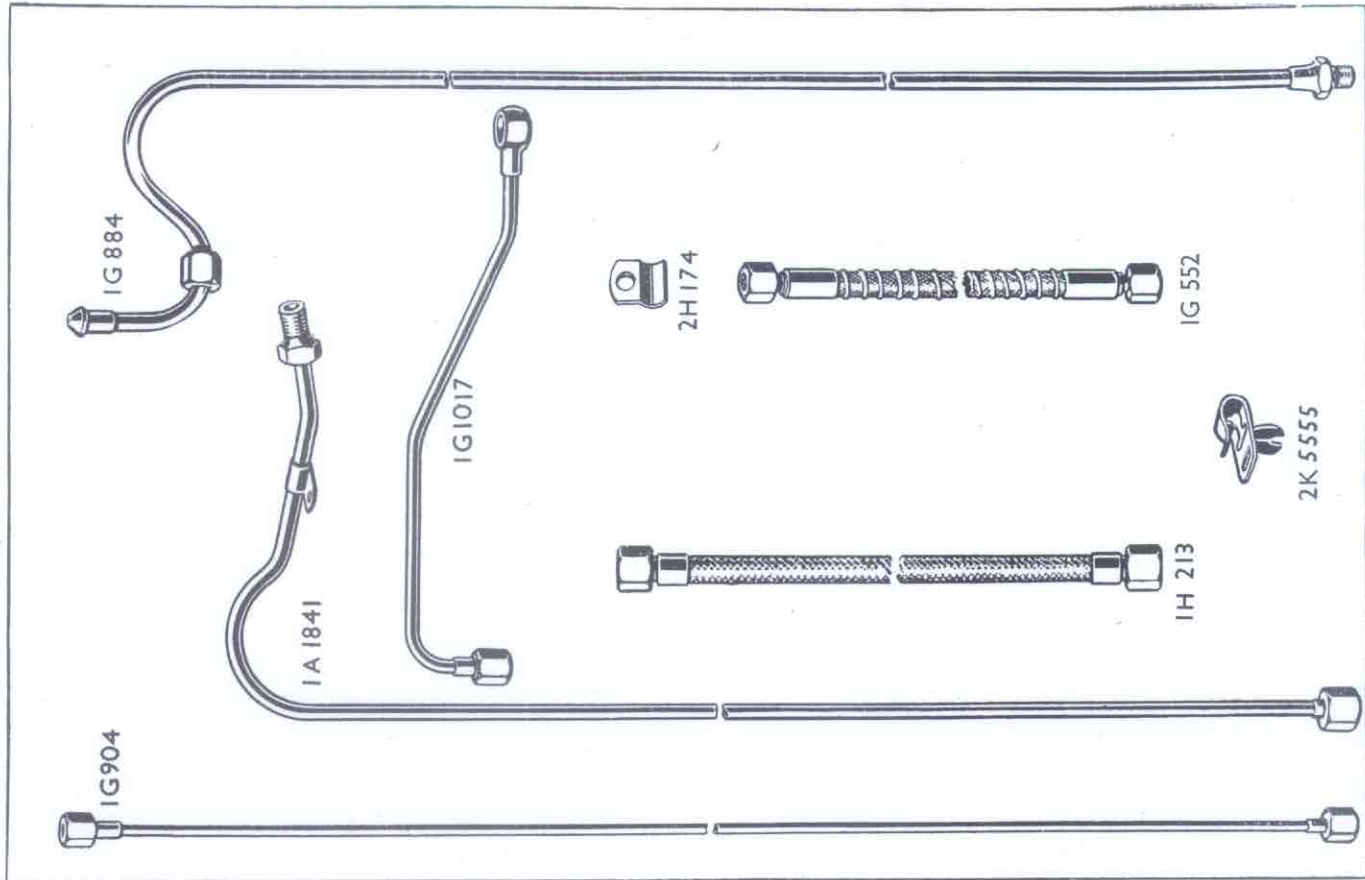
Part Number	DESCRIPTION	Number per vehicle
G3-99AB	Petrol Tank with drain plug and Unit for gauge	1
1G 1021	Petrol Filler with cap	1
1K 420	Filler Cap with cable	1
4D 3073	Cover for filler	1
4D 3074	Rubber Washer	1
5C 1588	Wood screws for fixing cover	4
1G 1000	Rubber Connection for filler	1
2H 698	Clips for connection	2
2H 1881	Drain Plug	1
2K 7510	Fibre Washer	1
1F 95	Union for Petrol Pipe	1
1B 174	Rubber Pads for Tank Brackets	2
2K 3977	Nuts for "U" bolts on frame...	4
2K 6059	Lockwashers	2
2H 3303	Tank Unit for petrol gauge	1
2H 1082	Joint Washer	1
2K 6428	Screws to tank	6
2K 1369	Spring Washers	6
1H 402	Rubber Connection for air vent pipe	1
1G 977	Air Vent Pipe	1
2H 1889	Rubber Ferrule for pipe	1
2H 399	Clip—air vent pipe	1
2K 3815	Screw for clip	1
2K 4012	Nut for screw	1
2K 1209	Spring Washer	1



W 10 11 9

PIPING

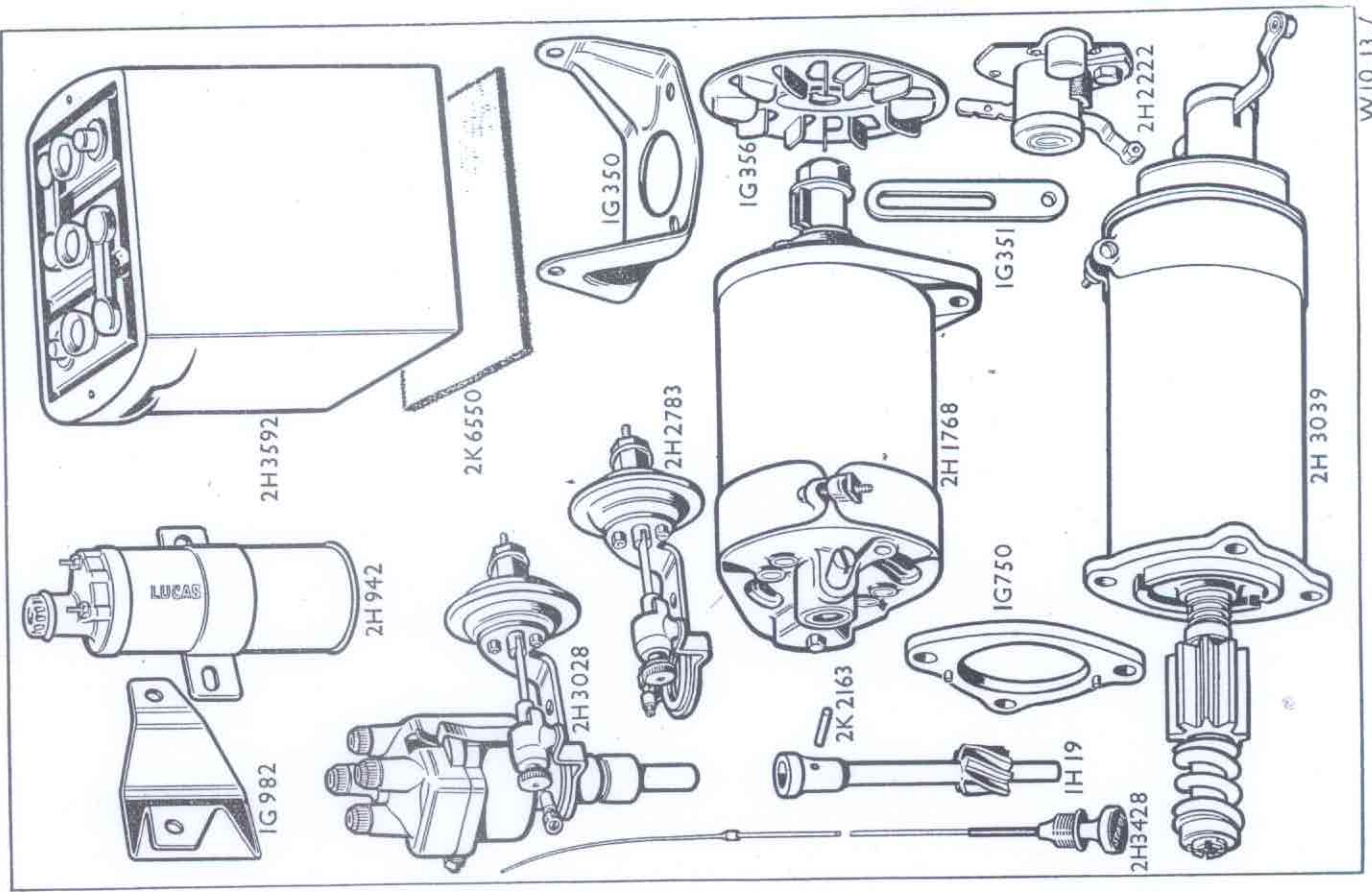
Part Number	DESCRIPTION	Number per vehicle
1G 884	Petrol Pipe, Tank to Pump, tank end, with nipple and nut	1
2H 174	Clips, pipe to floor	2
2K 3028	Screws	2
2K 2526	Nuts	2
2K 1209	Spring Washers	2
2K 5555	Clips, pipe to frame	5
1H 213	Flexible Petrol Pipe with nuts, Pump to Tank, pump end	1
2K 5309	Union	1
1G 1017	Petrol Pipe, Pump to Carburetter, with union, nipple and nut	1
1A 1841	Oil Pressure Pipe with nut, nipple, union and clip	1
3B 50	Ferrule for pipe through dash	1
2K 3940	Screw for clip to dash	1
2K 4012	Nut	1
2K 1209	Spring Washer	1
1G 552	Flexible Oil Gauge Pipe	1
1F 74	Nut	1
2K 5244	Nut	1
1G 904	Vacuum Ignition Control Pipe with nipples and nuts	1
1K 204	Clip, pipe to cylinder head	1



W. 10. 12.A.

INSTRUMENTS

Part Number	DESCRIPTION	Number per vehicle
2H 942	Ignition Coil	1
2K 3046	Bolts—coil to bracket	2
2K 3975	Nuts for bolts	2
2K 1210	Spring Washers	2
1G 982	Bracket for coil	1
2K 3046	Bolts—bracket to dash	2
2K 3975	Nuts for bolts	2
2K 9505	Washer	1
2K 1210	Spring Washers	2
2H 3028	Distributor with suction control	1
2H 1031	Distributor only	1
1H 19	Peg for spindle	1
2K 2163	Packing Washer	1
2H 2783	Setscrew to crankcase	1
2K 6094	Spring Washer	1
2K 3047	Spring Washer	1
2K 1210	Spring Washer	1
2H 1768	Bolts, dynamo to bracket	2
2K 3095	Nuts	2
2K 3976	Spring Washers	2
2K 1211	Packing Washers	2
2K 6809	Fan for dynamo	1
1G 356	Bracket for dynamo	1
1G 350	Adjustment Link for dynamo	1
1G 351	Locking Stud	1
1G 352	Nut	1
2K 3977	Nut	1
2K 1204	Washer	1
2H 3592	Batteries (Lucas No. STXVW, 13E)	2
2K 6550	Felt Mats for batteries	2
2H 3039	Starter and Switch	1
2H 1777	Starter only	1
2K 143	Setscrews, starter to gearbox and mounting plate	3
2K 5863	Spring Washers	3
1G 750	Packing Plate for starter with 2 dowels	1
2H 2222	Switch for starter	1
2H 3428	Starter Control	1
2K 8782	Nut for flange	1
2K 7502	Fibre Washer	1
2H 3547	Head Lamp with cable, offside	1
2H 3548	Head Lamp with cable, nearside	1
3G 694	Cross Tube for head lamps	1
2H 8010	Rubber Ferrules	2
2H 3589	Head Lamp with cable, offside	1
2H 3590	Head Lamp with cable, nearside	1
4D 3400/1	Cross Tube for head lamps	1
2K 3053	Bolts for cross tubes	2
2K 3975	Nuts for bolts	2
2K 1210	Spring Washers	2
2H 3382	Side Lamps	2
3G 739	Supports for Side Lamp Wires on wings	2
2H 3394	Stop and Tail Lamps	2
4D 3008	Bracket for Tail Lamps	1
5C 109	Screws	4
2H 1562	Switch for Tail Lamp with Screws	1
2K 931	Screws to panel	3
2K 4017	Nuts for screws	3
2K 5988	Washers	3
2H 3539	Speedometer (miles)	1



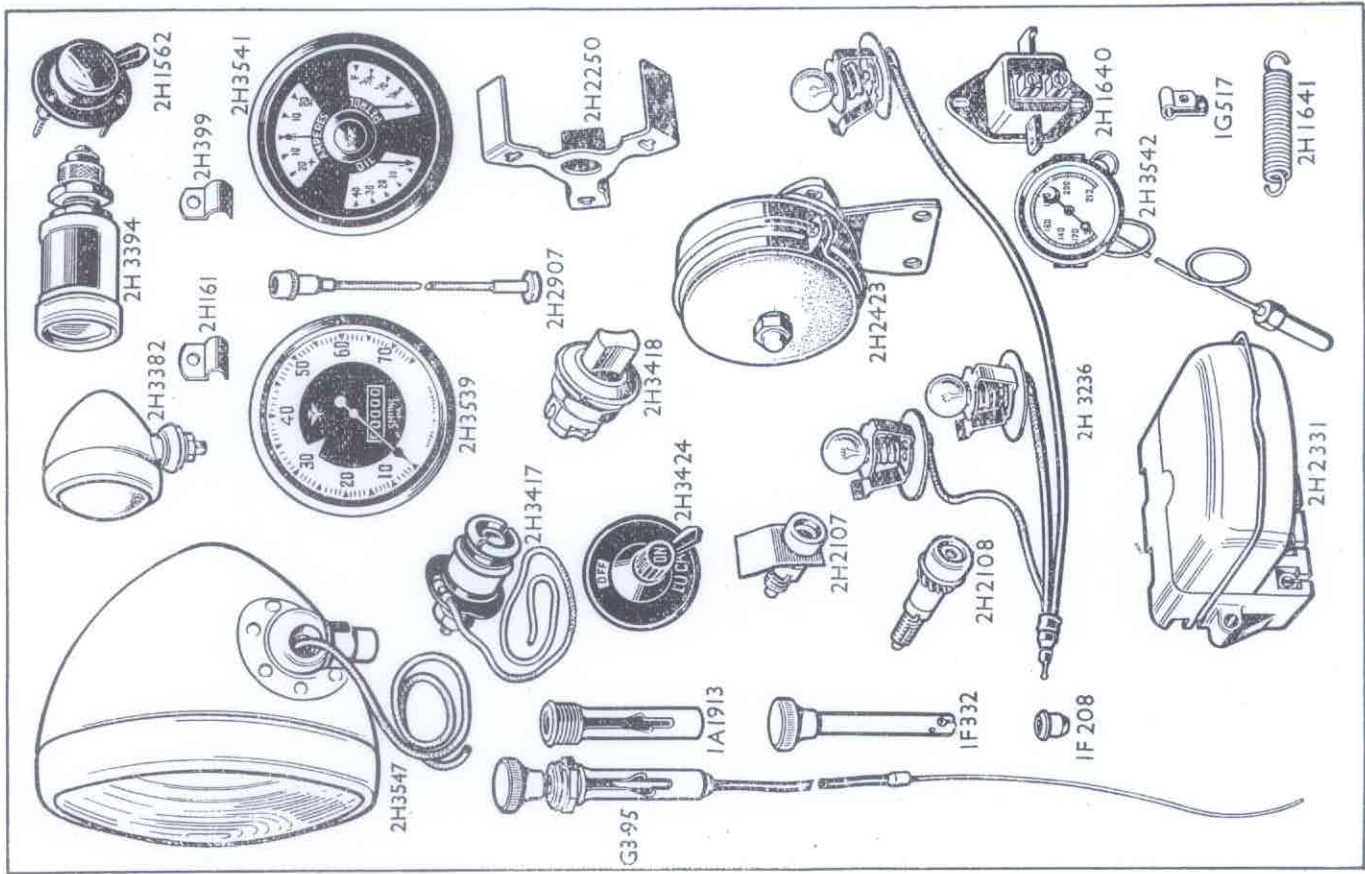
W.10.13.7

INSTRUMENTS—contd.

Part Number	DESCRIPTION	Number per vehicle
2H 2907	Speedometer Flexible Drive	1
2H 161	Clip, flexible drive to frame...	1
2H 399	Clip, flexible drive to frame	1
2K 3868	Screws for clips to frame	2
2K 2526	Nuts for screws	2
2H 3541	Ammeter, Oil and Petrol Gauge, in case	1
2H 3074	Ammeter	1
2H 2248	Oil Gauge	1
2H 2814	Petrol Gauge	1
2H 3430	Instrument Case	1
2H 2250	Fixing Clip	1
2H 3542	Thermometer with Connection and Element	1
2K 6683	Joint Washer for Element	1
2K 6640	Clip to Steering Column	1
2K 5217	Clips to Fan Cowl	2
2H 3417	Ignition Warning Lamp	1
2H 3418	Panel Light Switch	1
2H 3424	Lights and Ignition Switch	1
2H 3236	Instrument Lamps and Cable	1
2H 2107	Inspection Lamp Plug Socket, Positive	1
2H 2108	Inspection Lamp Plug Socket, Negative	1
2H 2331	Cut-out and Regulator Unit	1
2K 3944	Setscrews, cut-out to dash	1
2K 4012	Nuts	2
2K 1209	Spring Washers	2
2H 2423	Nuts to Horn Pillar	1
2K 3975	Spring Washers	2
2K 5894	Horn Pillar	2
1G 954	Nuts—Pillar to Support Plate	1
2K 3976	Spring Washers	2
2K 5319	Spring Washers	2
2H 1640	Stop Light Switch	1
2H 1641	Spring for stop light switch	1
1G 517	Clip for spring	1
2K 3939	Screw for clip	1
2K 2526	Nut for screw	1
2K 3939	Screws, switch to frame	1
2K 1209	Spring Washers	2
G3-95	Air Strangler Control	1
2H 1715	Cable	1
1F 332	Pull Button and Plunger	1
1A 1913	Flange	1
1F 208	Cable Abutment	1
1F 230	Screw	1
2K 8782	Nut	1
2K 7502	Washer	1

WIRING

Part Number	DESCRIPTION	Number per vehicle
2H 3555	Main Cable Harness	1
2H 3560	Tail Lamp and Petrol Gauge Harness	1
2H 2984	Battery Feed Cable	1
2K 8836	Battery Cable—Cell to Cell	1
2K 7135	Cable—Battery to Starter, with terminal	1
2K 8837	Cable—Battery to Earth, with terminal	1
2K 8503	Cable—Switchbox to Panel Light Switch, with terminal	1
2K 7764	Cables—Instrument to Earth Connection, with terminals	2



W.10.14.B.

WIRING—contd.

Part Number	DESCRIPTION	Number per Vehicle
2K 8056	Cable—Voltage Regulator to Screen Wiper Motor	1
2K 8054	Cable—Screen Wiper Motor to Switch	1
2K 7103	Cable—Screen Wiper Motor to Dash	1
2H 2621	Sparkling Plugs (K.L.G. F50X)	4
2K 5211	Washers	4
2K 7623	H.T. Cable No. 1 } Sparkling Plugs	1
2K 6732	H.T. Cable No. 2 } to universal	1
2K 6733	H.T. Cable No. 3 and 4 } suppressors	2
2K 7644	H.T. Cable—Coil to Universal Suppressor	1
2K 8616	H.T. Cables—Distributor to Universal Suppressor	5
1A 1655	H.T. Cable Support Bracket with insulator	1
2H 2939	Resistors at Sparkling Plugs (15,000 ohms)	4
2H 1741	Resistors at Distributor End of H.T. Cables (5,000 ohms)	4
2H 2940	Suppressor Condensers (1.0 microfarad)	5
1G 984	Wiring Diagram Plate	3
2K 9874	Rivets to dash	1
2H 37	Terminals for H.T. Cables	5
2H 170	Battery Terminals, Negative	2
2H 171	Battery Terminals, Positive	2
2H 38	Terminals for Battery Cables	2
2H 2987	Terminal for Battery Earth Cable to Strangler Adjuster	1
2K 3975	Nut	1
2K 1210	Spring Washer	1
2K 6915	Terminals for Instrument, Earth and Condenser Cables and Screen Wiper Cable to Dash	6

TERMINALS

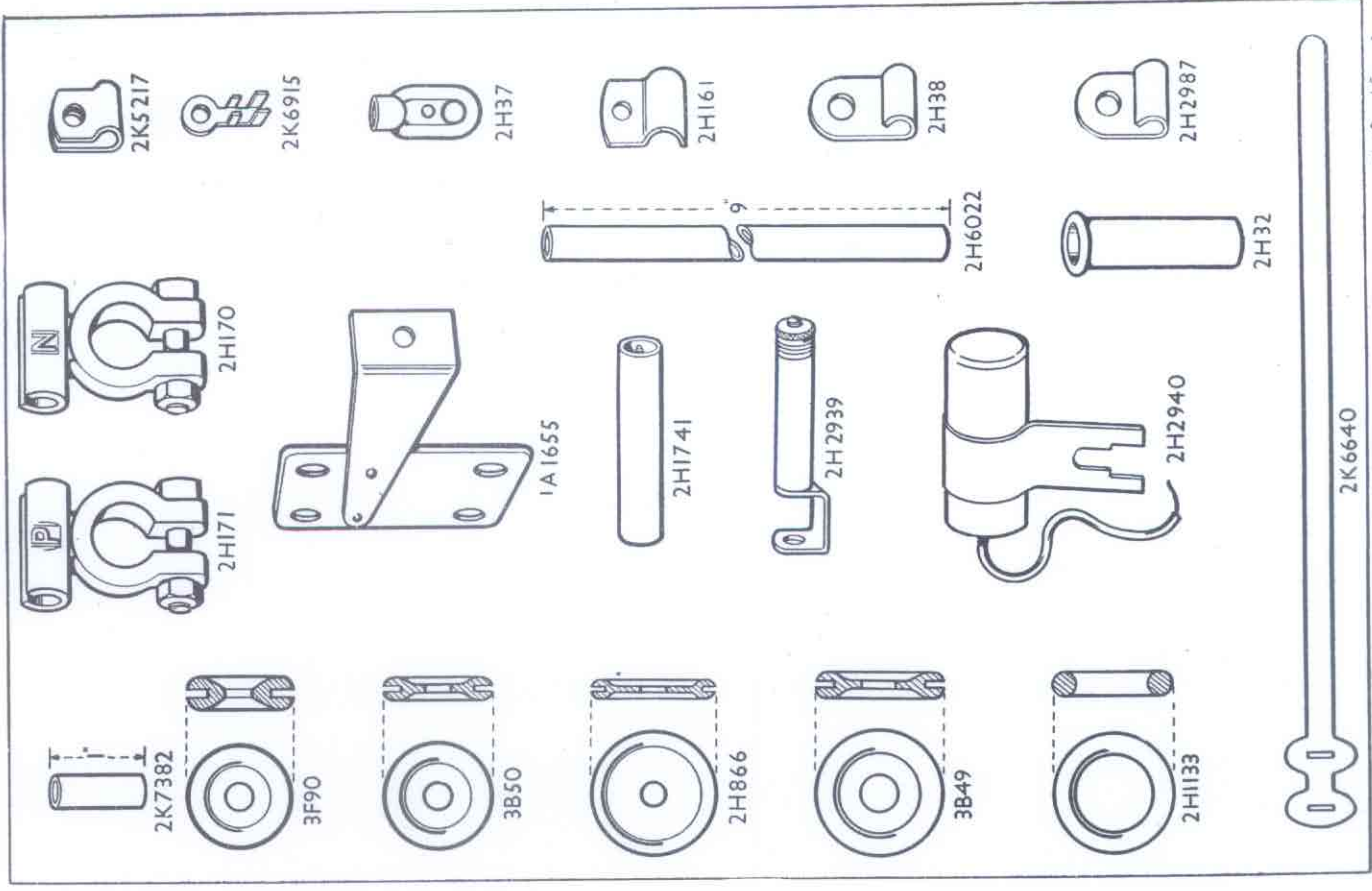
2H 1133	Ring for H.T. Cables	1
2H 32	Ferrules for Starter Cables	4
3B 49	Ferrule for Cable Harness Through Dash	1
2H 866	Ferrules for Speedometer Flex and Side Lamp Cable Through Dash	2
3F 90	Ferrules for Cables Through Dash, Fritch Plates and Cowl Side Plates	5
2K 7382	Ferrules for Head Lamp, Side Lamp and Screen Wiper Cables	10
3B 50	Ferrules for Oil Gauge Pipe and Screen Wiper Cable through Dash	2
2H 6022	Protector Tube for Battery Feed Cable	1

RUBBER FERRULES, Etc.

2H 1133	Ring for H.T. Cables	1
2H 32	Ferrules for Starter Cables	4
3B 49	Ferrule for Cable Harness Through Dash	1
2H 866	Ferrules for Speedometer Flex and Side Lamp Cable Through Dash	2
3F 90	Ferrules for Cables Through Dash, Fritch Plates and Cowl Side Plates	5
2K 7382	Ferrules for Head Lamp, Side Lamp and Screen Wiper Cables	10
3B 50	Ferrules for Oil Gauge Pipe and Screen Wiper Cable through Dash	2
2H 6022	Protector Tube for Battery Feed Cable	1

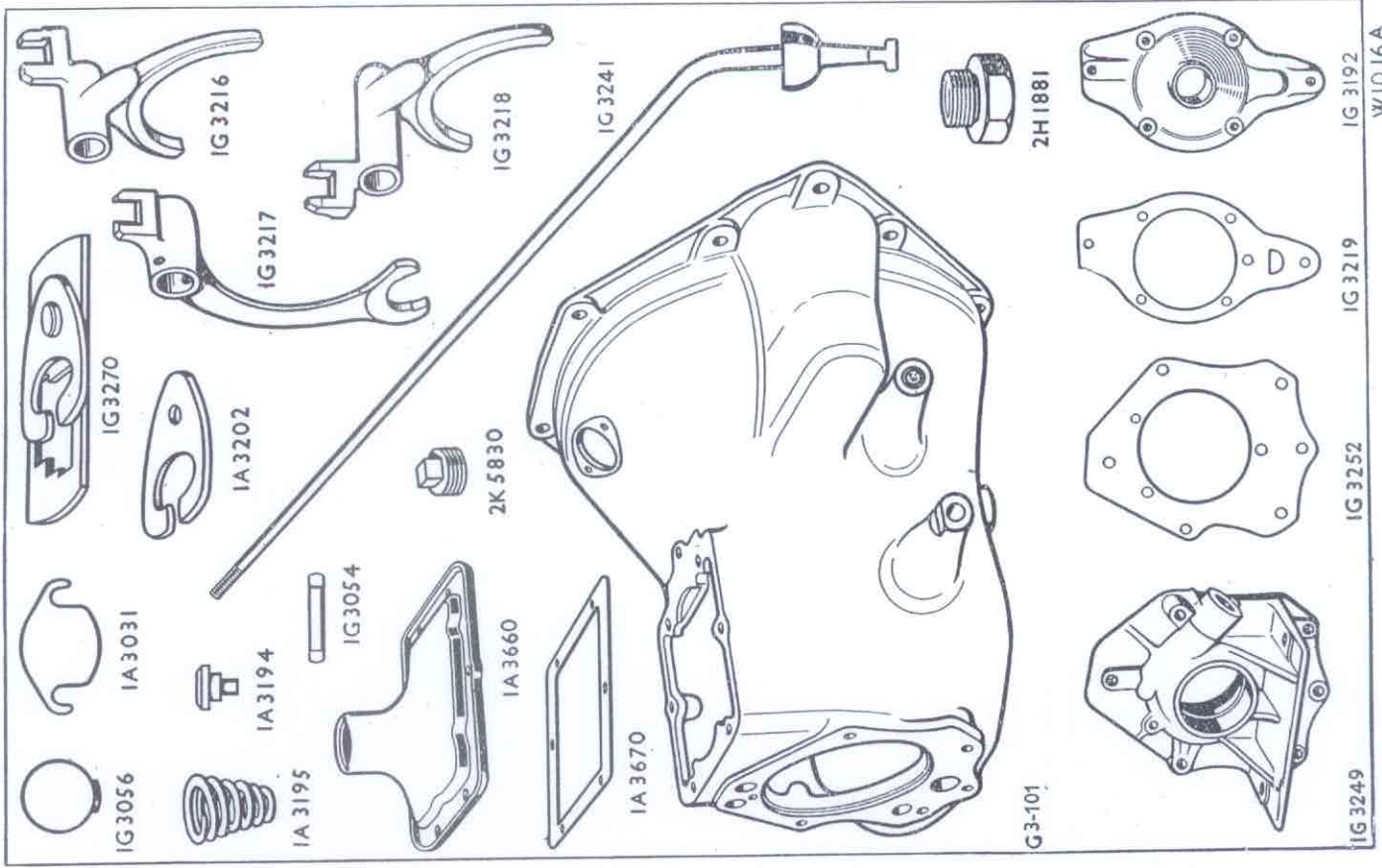
CLIPS

2H 161	Clips for Tail Lamp Cable to Rear Cross Member and Side Lamp Cables to Rear of Dash	3
2K 6640	Clips for Cable Harness to Steering Column and nearside Head Lamp Cable to Head Lamp Support Tube	6
2H 399	Clips, Starter Cable to Dash	2
2K 5217	Clips for Screen Wiper Cables	4
2K 3868	Screws for clips	11
2K 2326	Nuts (square)	2
2K 4012	Nuts (hexagon)	5
2K 1209	Spring Washers	7



GEARBOX

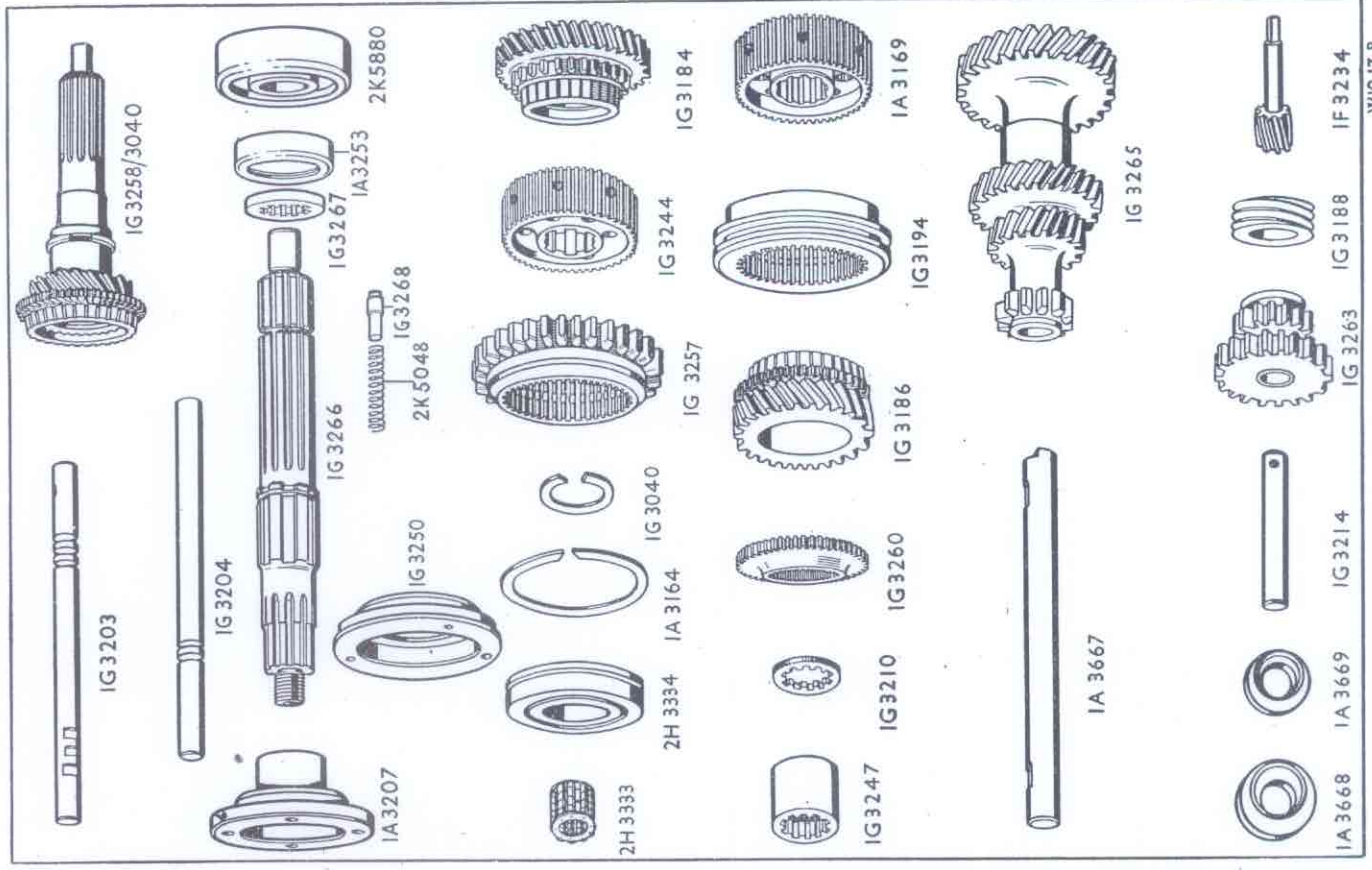
Part Number	DESCRIPTION	Number per vehicle
G3-100	Gearbox Assembly with gears, change speed lever and clutch operating shaft ...	1
G3-101	Gearbox Casing with studs for front cover, bushes and greasers for clutch operating shaft ...	1
2K 3095	Bolts to mounting plate ...	2
2K 92	Setscrews to mounting plate ...	3
2K 7784	Stud to mounting plate ...	1
2K 3976	Nuts for bolts and stud ...	3
2K 1211	Spring Washers ...	6
1A 3660	Top Cover with seat for spring ...	1
1A 3670	Joint Washer ...	1
2K 6210	Setscrews ...	6
2K 5894	Spring Washers ...	6
1A 3031	Cover for inspection hole ...	1
2K 881	Screws ...	2
2K 1210	Spring Washers ...	2
1G 3192	Front Cover ...	1
1G 3219	Joint Washer ...	1
2K 7788	Studs in gearbox ...	6
2K 3975	Nuts for studs ...	6
2K 1210	Spring Washers ...	6
1G 3249	Rear Cover ...	1
1A 3253	Oil Seal ...	1
1G 3252	Joint Washer ...	1
2K 52	Set-screw, 1 1/4 in. long ...	1
2K 48	Set-screws, 3/4 in. long ...	5
2K 1210	Spring Washers ...	6
2H 2942	Grease Nipples for clutch operating shaft ...	2
2K 4956	Washers ...	2
2K 5830	Plug for oil filler ...	1
2H 1881	Drain Plug ...	1
2K 7510	Washer for drain plug ...	1
2K 1257	Split Pin for clutch pit oil drain ...	1
1G 3241	Change Speed Lever ...	1
1G 3056	Knob ...	1
1G 3054	Peg ...	1
1A 3195	Reverse Spring ...	1
2K 8134	Washer for spring seating ...	1
1G 3270	Change Speed Gate with interlock arm ...	1
1A 3202	Interlock Arm ...	1
1A 3194	Pivot ...	1
1G 3203	Forward Fork Rod ...	1
1G 3204	Reverse Fork Rod ...	1
1G 3211	Locking Screws ...	2
2K 1210	Spring Washers ...	2
1G 3216	1st and 2nd Speed Fork ...	1
1G 3218	3rd and 4th Speed Fork ...	1



GEARBOX—contd.

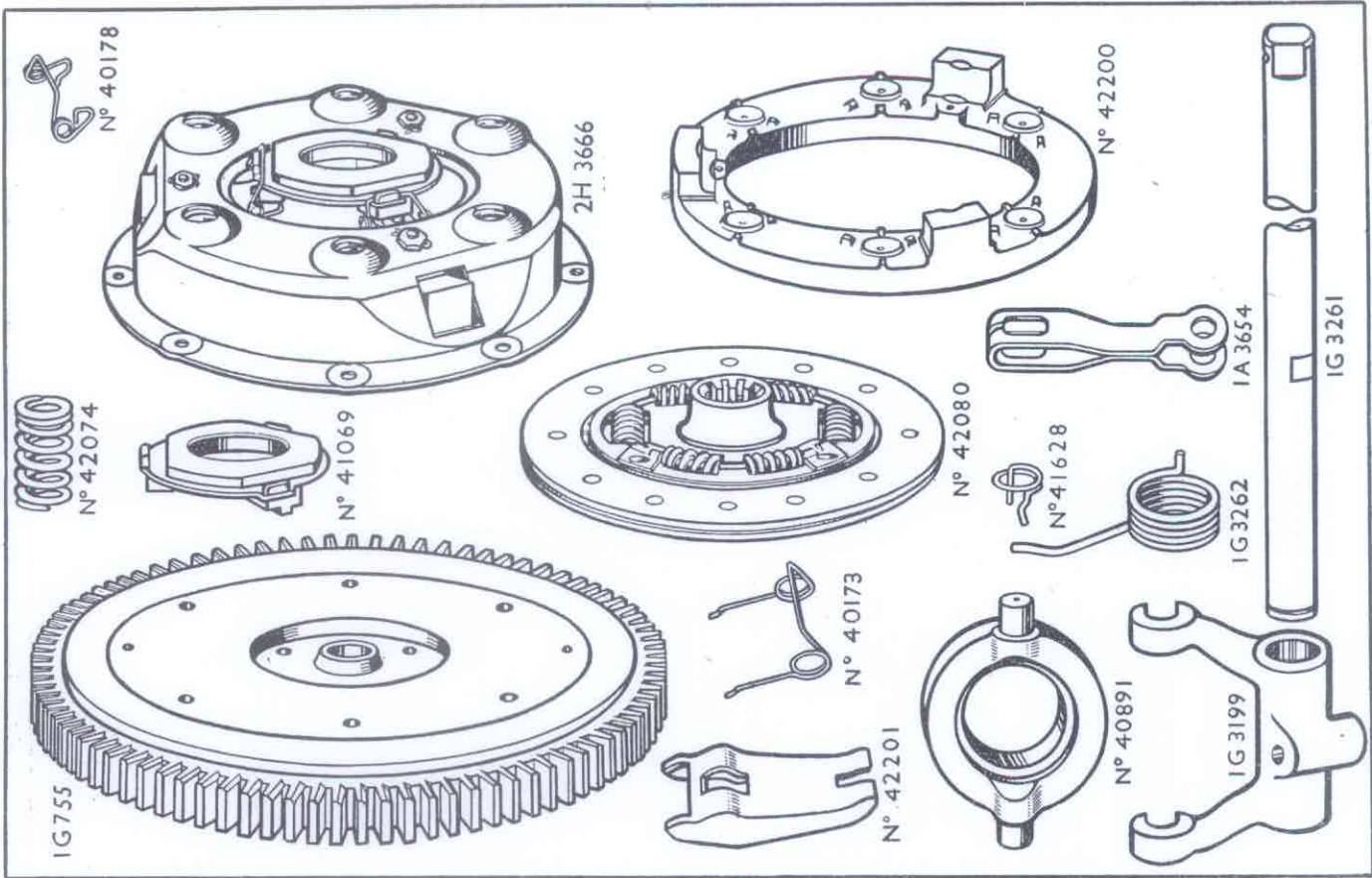
Part Number	DESCRIPTION	Number per vehicle
1G 3217	Reverse Fork	1
2K 5049	Springs for forks	3
2K 2721	Balls, $\frac{1}{8}$ in. dia.	3
1G 3258/3040	First Motion Shaft with cone and spring ring	1
1G 3040	Ring for ball bearing	1
1A 3171	*Cone	1
2H 3334	Ball Bearing, 35 × 72 × 17 mm.	1
1A 3164	Spring Ring	1
2H 3333	Roller Bearing in Shaft, $\frac{1}{4}$ × 1 × 1in.	1
1G 3266	Third Motion Shaft	1
1G 3268	Peg	1
2K 5048	Spring for Peg	1
1G 3267	Thrust Washer (front)	1
1G 3246	Thrust Washer (rear)	1
2K 5880	Ball Bearing, 1 $\frac{1}{2}$ × 2 $\frac{3}{8}$ × $\frac{3}{16}$ in.	1
1G 3250	Rear Bearing Housing	1
1G 3253	Locating Peg	1
1A 3207	Flange for 3rd Motion Shaft	1
1A 3140	Lockwasher	1
2K 5350	Nut	1
1G 3257	First Speed Wheel	1
1G 3184	2nd Speed Mainshaft Gear with cone	1
1G 3247	Sleeve	1
1G 3210	Collar	1
1G 3244	Synchroniser	1
1A 3171	*Cone	1
1G 3186*	3rd Speed Mainshaft Gear with cone	1
1G 3209	Sleeve	1
1A 3171	*Cone	1
1G 3194	3rd and 4th Speed Coupling Sleeve	1
1A 3169	3rd and 4th Speed Synchroniser	1
2K 8985	Springs	12
2K 4712	Balls, $\frac{1}{16}$ in. dia.	12
1G 3177	2nd and 3rd Speed Coupling Adaptors	2
1G 3260	4th Speed Coupling Adaptor	1
1A 3667	Layshaft	1
1G 3265	Laygear with bushes	1
1A 3662	Bush, front	1
1F 3256	Bush, rear	1
1A 3668	Thrust Washer, front	1
1A 3669	Thrust Washer, rear	1
1G 3214	Reverse Shaft	1
1G 3263	Reverse Wheel with bush	1
1G 3183	Bush	1
1G 3188	Speedometer Wheel	1
1F 3234	Speedometer Pinion	1
1G 3227	Bush	1
2K 7500	Fibre Washer	1
1A 3073	Thrust Button	1

*Cones are finished machined after being shrunk on gears. They can be supplied loose where facilities exist for the shrinking on and final machining.



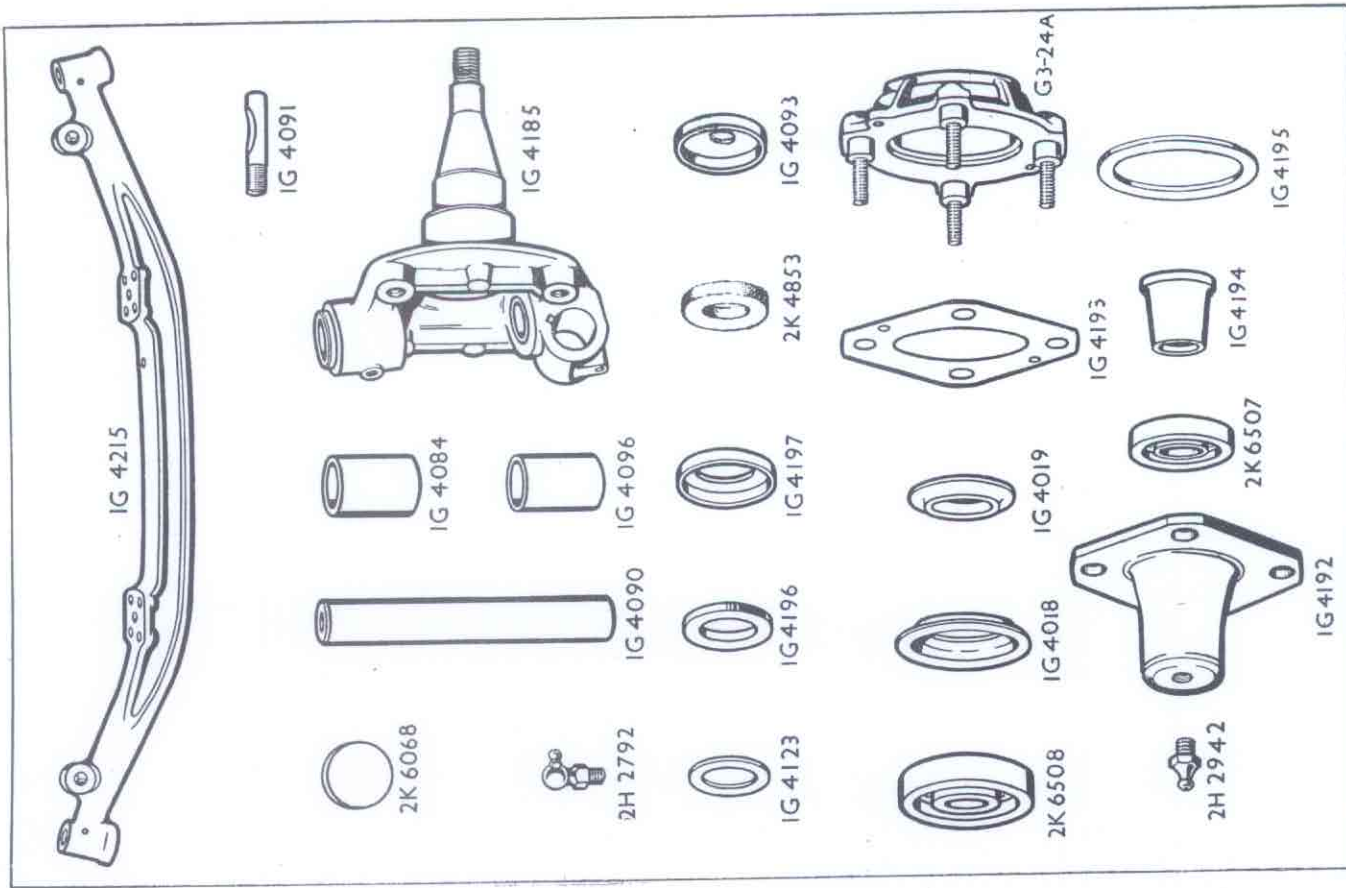
CLUTCH AND FLYWHEEL

Part Number	DESCRIPTION	Number per vehicle
Clutch Operating Shaft		
IG 3261	Shaft	1
IG 3272	Bushes for shaft in gearbox	2
2K 8134	Washer	1
IG 3198	Spring Ring	1
Lever for Shaft		
1A 3654	Lever	1
2K 3053	Clamp Bolt	1
2K 3975	Nut	1
2K 1202	Washer	1
Clutch Pedal Return Spring		
IG 3262	Spring	1
IG 3226	Distance Piece for spring	1
IG 4077	Trunnion for lever	1
Clutch Withdrawal Fork		
IG 3199	Fork	1
2K 6385	Cotter	1
2K 3975	Nut	1
2K 1210	Spring Washer	1
2H 3666	Clutch Assembly less clutch plate and linings (No. 42080), release bearing (No. 40891), and Springs (No. 41628)	1
No. 42080	Clutch Plate with linings	1
No. 40395	Clutch Linings (2) and rivets (14)	1 set
No. 40891	Release Bearing and Cup Assembly	1
No. 41628	Retaining Springs for release bearing	2
No. 40169	Cover	1
2K 3092	Screws for clutch to flywheel	6
2K 5319	Spring Washers	6
2K 5844	Dowels	2
No. 42200	Pressure Plate	1
No. 42074	Thrust Springs	6
No. 42201	Release Levers	3
No. 41069	Plate for levers	1
No. 40178	Spring Retainers	3
No. 42203	Struts for release levers	3
No. 42204	Pins for release levers	3
No. 42202	Eyebolts	3
No. 40180	Nuts for eyebolts	3
No. 40310	Split Pins	3
No. 40173	Anti-rattle Springs	3
Flywheel with starter gear		
IG 755	Flywheel	1
IG 753	Starter Ring Gear	1
IG 765	Bearing for flywheel	1
IG 835	Bolts for flywheel to crankshaft	4
2K 8202	Nuts	4
2K 5610	Lockwashers	2



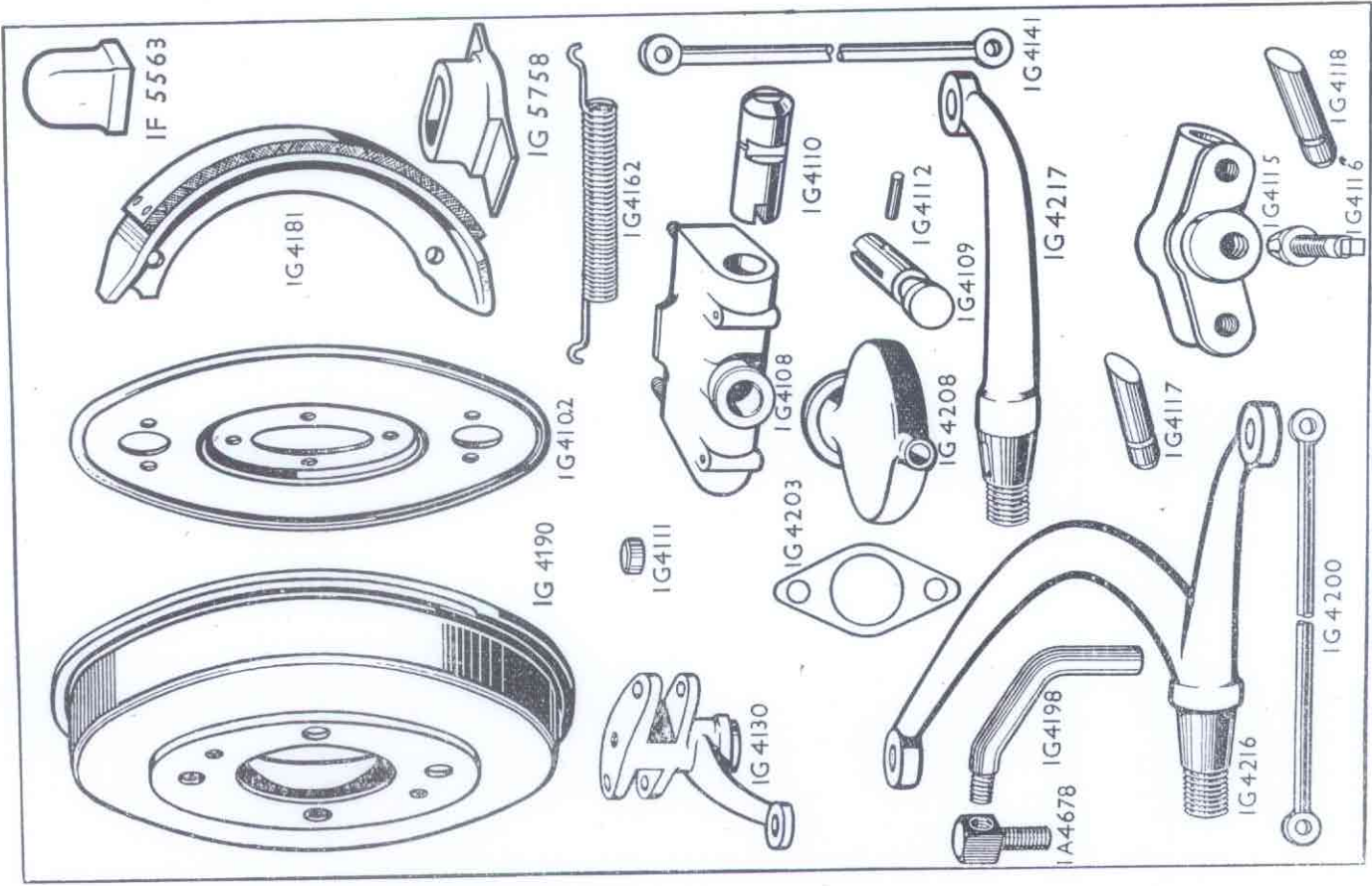
FRONT AXLE

Part Number	DESCRIPTION	Number per vehicle
G3-107	Front Axle Assembly with swivel axles, hubs, brake drums, brakes, steering cross rod and levers ...	1
IG 4215	Front Axle Beam ...	1
IG 4185	Swivel Axle, offside, with bushes ...	1
IG 4186	Swivel Axle, nearside, with bushes ...	1
2K 6068	Welch Plugs ...	2
2K 8087	Nuts ...	2
2K 1239	Split Pins ...	2
IG 4084	Bushes for Swivel Pins, top ...	2
IG 4096	Bushes for Swivel Pins, bottom ...	2
IG 4090	Swivel Axle Pins ...	2
IG 4091	Cotter Pins ...	2
2K 3976	Nuts ...	2
2K 1211	Spring Washers... ..	2
2K 8890	Setscrews for swivel axle pins ...	2
2K 1212	Spring Washers... ..	2
IG 4196	Thrust Washers (Oilite) for swivel ...	2
IG 4123	Thrust Washers (Steel) for swivel ...	4
IG 4197	Dust Covers for thrust bearings ...	2
2K 4853	Felt Rings for swivel axle pins ...	2
IG 4093	Retainers for swivel pin felts ...	2
2H 2792	Greasers for swivel axles ...	4
G3-24A	Front Hubs with studs ...	2
1A 7709	Wheel Studs ...	8
1E 8006	Wheel Nuts ...	8
2K 6508	Ball Bearings, inner, 35 x 72 x 17 mm. ...	2
2K 6507	Ball Bearings, outer, 3/4 x 1 1/8 x 3/16 in. ...	2
IG 4195	Packing Washers for bearings ...	2
IG 4194	Distance Pieces ...	2
IG 4019	Leather Oil Retaining Rings ...	2
IG 4018	Distance Rings for leather joints ...	2
IG 4192	Covers for Hubs ...	2
IG 4193	Washers ...	2
2H 2942	Greasers ...	2
IG 4190	Brake Drums ...	2
2K 3824	Screws for brake drums ...	4
IG 4102	Backplates with support pins ...	2
1E 7150	Setscrews, backplates to axle ...	8
2K 5725	Lockwashers ...	4
IG 4181	Brake Shoes with linings ...	4
IG 4183	Linings ...	4
2K 8942	Rivets ...	40
IG 4162	Brake Shoe Springs ...	4



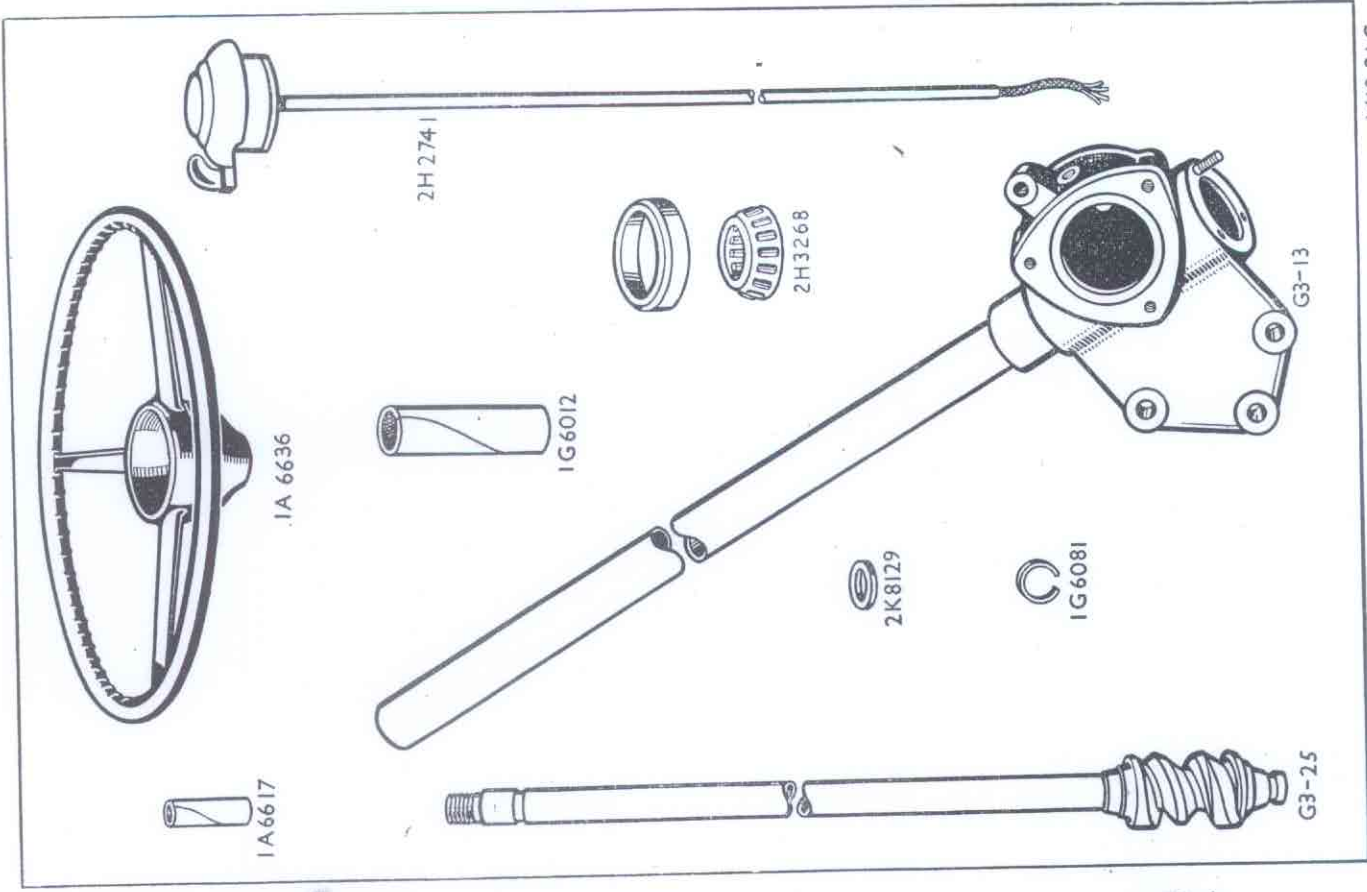
FRONT AXLE—contd.

Part Number	DESCRIPTION	Number per vehicle
G3-125	Front Brake Expander Assemblies less brake rod, Rubber Dust Cover and Plate	2
1G 4108	Expander Housings with studs	2
2K 5207	Nuts for studs	4
2K 5208	Washers	4
2K 2543	Double Coil Spring Washers	4
2K 1227	Split Pins	4
1G 4110	Plungers for Expanders	4
2K 1233	Split Pins to retain plungers	4
1G 4111	Rollers	4
1G 4109	Cones	2
1G 4112	Pins for cones	2
1G 4208	Rubber Dust Covers	2
1G 4203	Plates for dust covers	2
1A 4160	* Zinc Washers	4
1G 4114	Brake Shoe Adjuster Assemblies, with housing, plungers and cone	2
1G 4115	Adjuster Housings	2
2K 5219	Setscrews to backplates	4
2K 1211	Spring Washers	4
1G 4117	Plungers, offside front and nearside back positions	2
1G 4118	Plungers, nearside front and offside back positions	2
1G 4116	Cones	2
1G 4130	Brake Balance Lever	1
1G 4198	Support for lever	1
1A 4678	Carrier	1
2K 5631	Cotter for support to axle	1
2K 3975	Nut	1
2K 1210	Spring Washer	1
2K 5213	Felt Ring	1
2H 2792	Greaser	1
1G 4141	Brake Rod, offside	1
1G 4200	Brake Rod, nearside	1
2K 5243	Joint Pins for rods	2
2K 1227	Split Pins	2
2K 5291	Felt Rings	4
1G 4217	Steering Cross Rod Swivel Arm	1
1G 4216	Steering Side and Cross Rod Lever	1
2K 8194	Nuts for swivel arm and lever	2
2K 6253	Spring Washers	2
2K 7432	Keys	2
1F 5563	Front Axle Bumpers	2
1G 5758	Plates for bumpers	2



STEERING

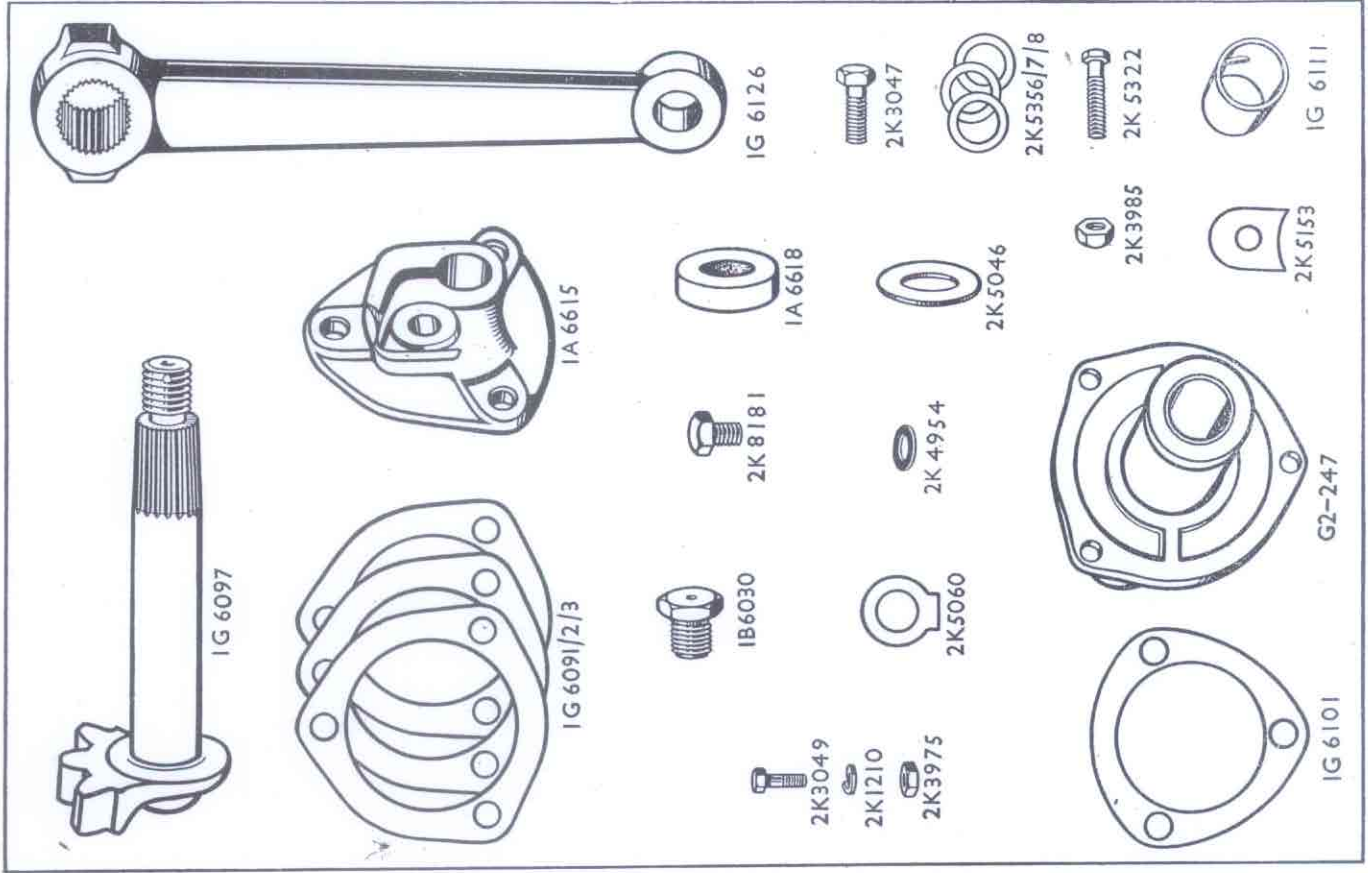
Part Number	DESCRIPTION	Number per vehicle
G3-12B	Steering Assembly less steering wheel, arm and traffic switch ...	1
1A 6636	Steering Wheel ...	1
2K 6057	Nut for steering wheel ...	1
2H 2741	Trafficator and Horn Switch ...	1
2H 2635	Trip lever for trafficator switch ...	1
2K 7412	Ferrule for trafficator switch tube ...	1
G3-13	Steering Box with Outer Column and Stud for Clamping cover ...	1
1G 6012	Felt Bush between outer and inner columns ...	1
2K 8129	Support Washer for felt bush ...	1
G3-25	Inner Column and Worm... ..	1
1A 6617	Felt Bush between inner column and trafficator switch tube... ..	1
1G 6081	Spring Ring at base of column, for worm ...	1
1G 6112	Thrust Washer	1
2H 3268	Roller Bearings for Worm, including Rollers, Cage and Bearing Cup	2



W10 21.C

STEERING—contd.

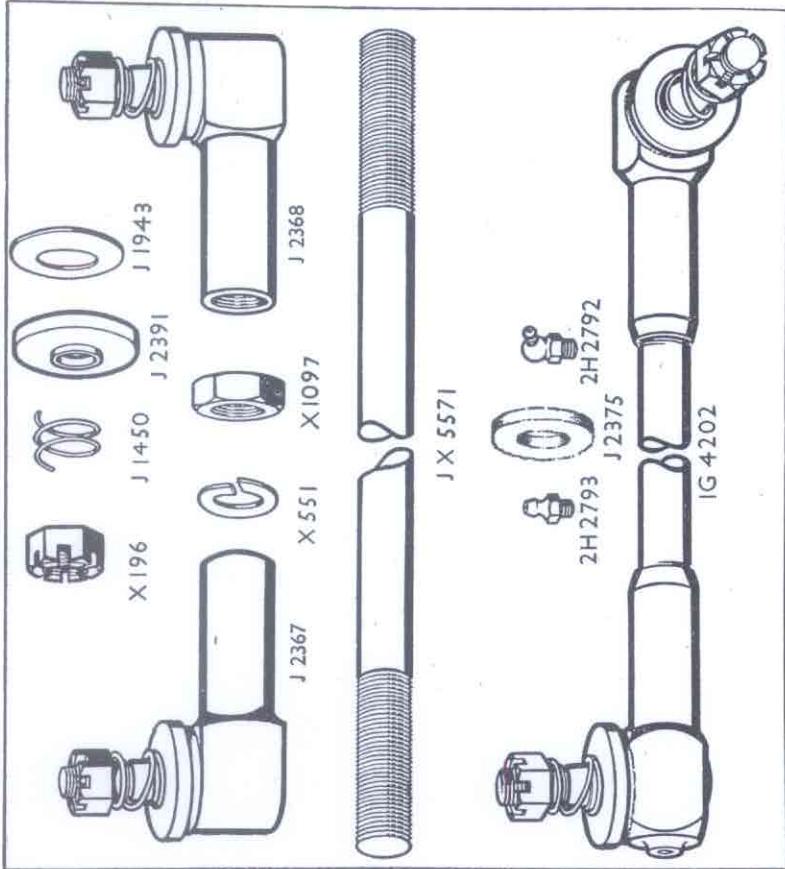
Part Number	DESCRIPTION	Number per vehicle
1G 6097	Worm Sector ...	1
1G 6126	Steering Arm...	1
2K 5144	Nut ...	1
2K 1239	Split Pin ...	1
2K 5550	Joint Ring ...	1
1A 6622	Cup ...	1
1B 6030	Adjustable Thrust Button...	1
2K 5060	Lockwasher ...	1
2K 5356	Packing Washer .036in. thick ...	1
2K 5357	Packing Washers .006in. thick ...	3
2K 5358	Packing Washers .004in. thick ...	3
1A 6615	Clamping Cover with oil seal and retainer ...	1
1A 6618	Oil Seal ...	1
2K 5046	Retainer for oil seal ...	1
1G 6091	Adjustment Shims .002in. thick ...	2
1G 6092	Adjustment Shim .005in. thick ...	1
1G 6093	Adjustment Shim .022in. thick ...	1
2K 3403	Stud in steering box for clamping cover ...	1
2K 3975	Nut for stud ...	1
2K 3047	Setscrews, clamping cover to steering box ...	2
2K 5153	Lockwashers for stud and setscrews ...	3
2K 3049	Clamping Bolt ...	1
2K 3975	Nut ...	1
2K 1210	Spring Washer ...	1
2K 5322	Adjusting Screw ...	1
2K 3985	Locknut ...	1
2K 1211	Spring Washer ...	1
2K 8181	Plug for steering box ...	1
2K 4954	Washer for plug ...	1
G2-247	Steering Box Cover, with bushes ...	1
1G 6101	Joint Washer ...	1
1G 6111	Bushes ...	2
2K 8894	Setscrews, cover to steering box ...	3
2H 1931	Lockwashers ...	2
2K 5976	Adjustment shims ...	as req'd
2K 5265	Setscrews, steering box to frame ...	3
2K 5319	Spring Washers ...	3



W10.22.A

STEERING RODS

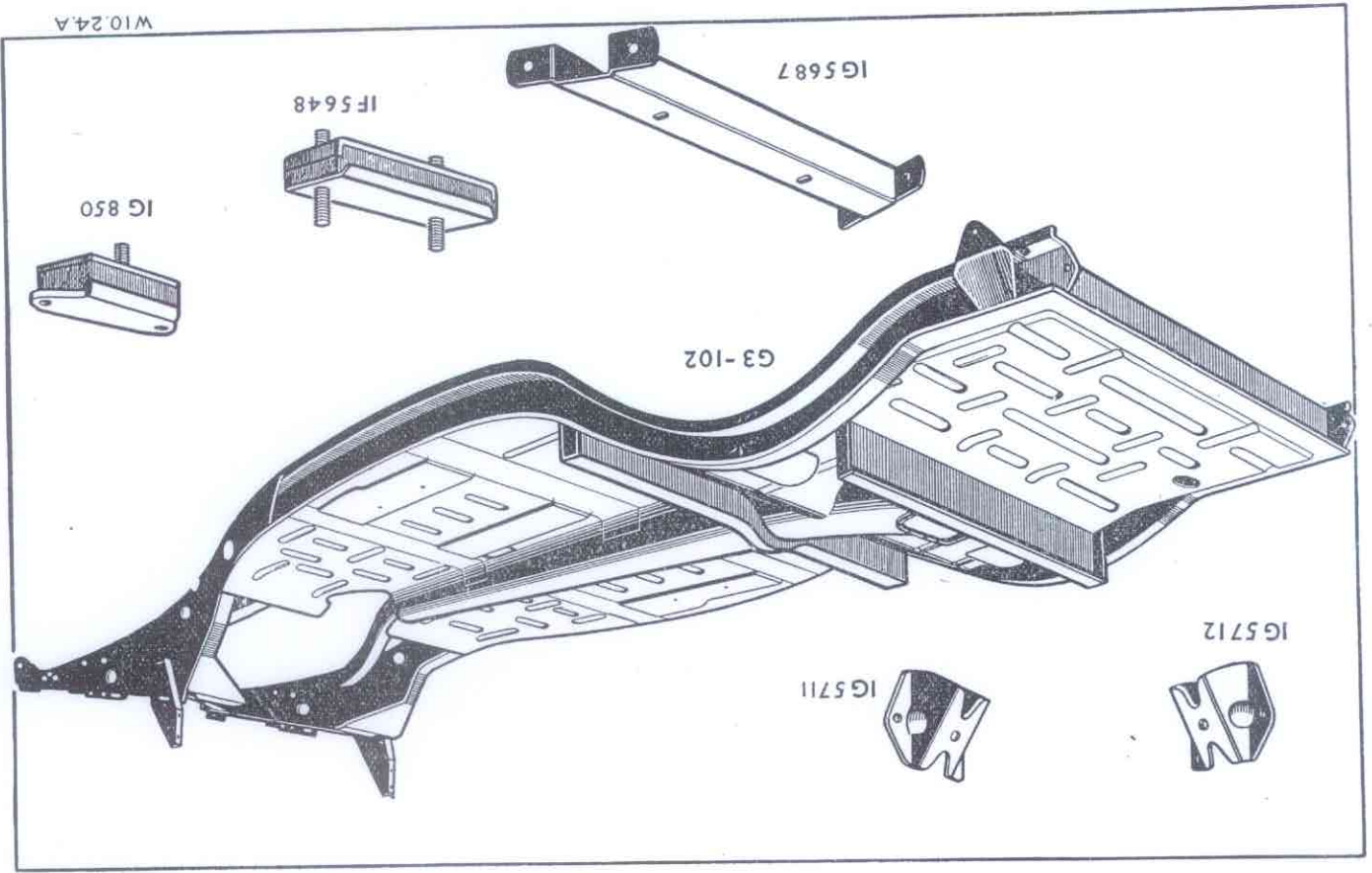
Part Number	DESCRIPTION	Number per vehicle
1G 4218	Steering Cross Rod with Socket Assemblies	1
JX 5571	Cross Rod only ...	1
J 2367	Socket Assembly, R.H. thread	1
J 2368	Socket Assembly, L.H. thread	1
J 2375	Felt Washers ...	2
J 2391	Dust Covers, outer ...	2
J 1943	Dust Covers, inner ...	2
J 1450	Springs for dust covers...	2
X 1096	Locknut, R.H. thread ...	1
X 1097	Locknut, L.H. thread ...	1
X 551	Lockwashers ...	2
X 196	Slotted Nuts for ball pins	2
2K 1232	Split Pins for ball pins	2
2H 2792	Greasers ...	2
1G 4202	Steering Side Rod with Socket Assemblies	1
J 2375	Felt Washers ...	2
J 2391	Dust Covers, outer ...	2
J 1943	Dust Covers, inner ...	2
J 1450	Springs for dust covers...	2
X 196	Slotted Nuts for ball pins	2
2K 1232	Split Pins for ball pins...	2
2H 2793	Greasers ...	2



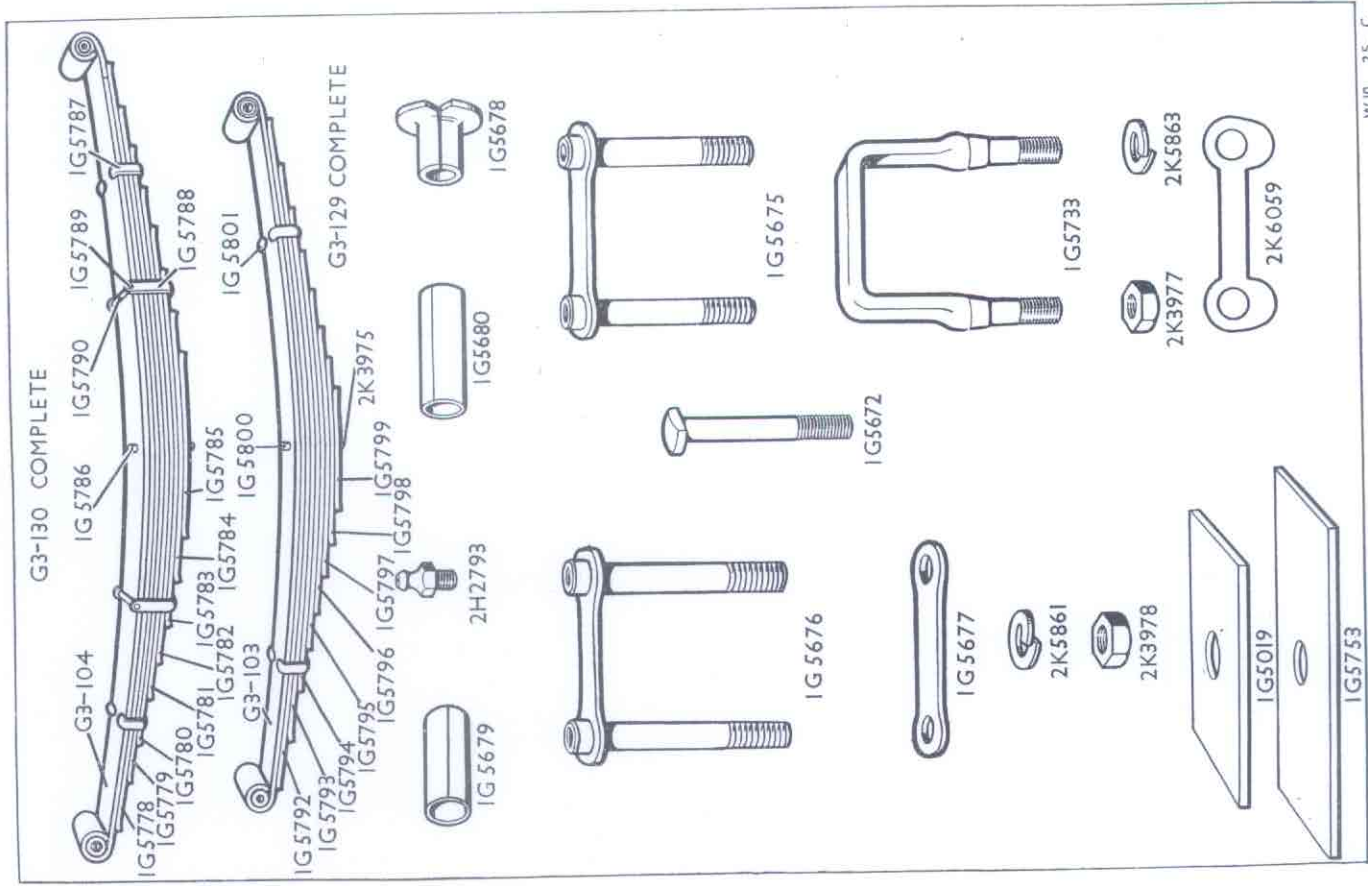
W10 23 A

FRAME

Part Number	DESCRIPTION	Number per vehicle
G3-102	Frame and Floorboard with brackets ...	1
1G 850	Engine Front Mountings with bolts ...	2
2K 3977	Nuts, front mountings to brackets ...	2
2K 5895	Spring Washers ...	2
1G 5711	Bracket for Front Mounting, offside ...	1
1G 5712	Bracket for Front Mounting, nearside	1
2K 3092	Setscrews, brackets to frame ...	4
2K 5319	Spring Washers ...	4
2K 3092	Bolts, front mounting to support plate	4
2K 3976	Nuts ...	4
2K 5319	Spring Washers ...	4
1F 5648	Rear Mounting with bolts ...	1
2K 3976	Nuts for bolts ...	4
2K 5319	Spring Washers ...	4
1G 5687	Support for Rear Mounting ...	1
2K 5257	Bolts, support to frame ...	4
2K 3976	Nuts for bolts ...	4
2K 5319	Spring Washers ...	4



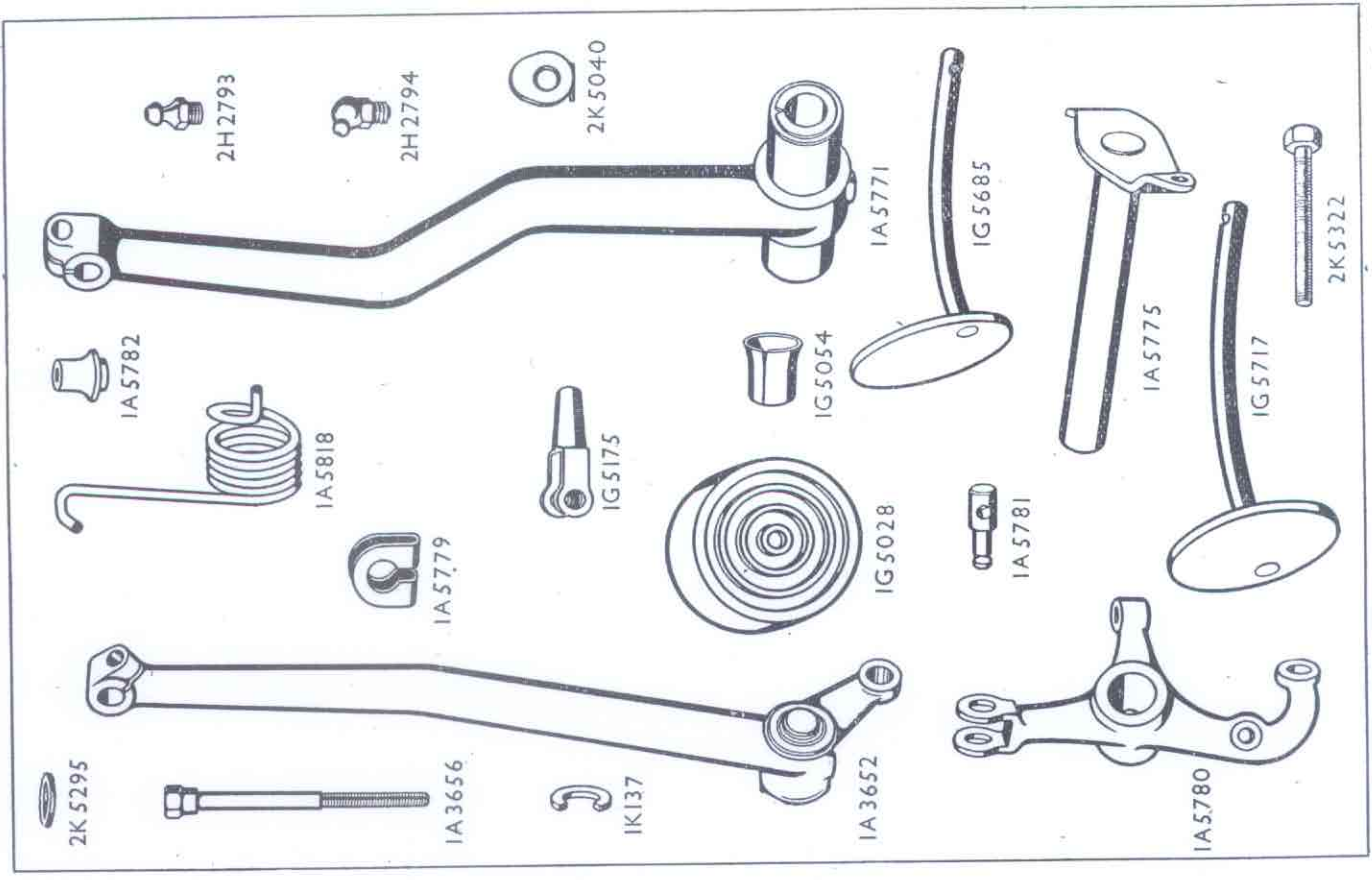
ROAD SPRINGS & SHACKLES



Part Number	DESCRIPTION	Number per vehicle
G3-129	Front Springs with bushes and liner	2
G3-103	Main Leaf with bushes and liner	2
1G 5679	Liners	2
1G 5678	Bushes (bronze)	8
2H 2738	Bushes (steel and rubber)	2
1G 5792	2nd Leaf	2
1G 5793	3rd Leaf	2
1G 5794	4th Leaf	2
1G 5795	5th Leaf	2
1G 5796	6th Leaf	2
1G 5797	7th Leaf	2
1G 5798	8th Leaf	2
1G 5799	9th Leaf	2
1G 5800	Toe Bolts	2
2K 3975	Nuts for toe bolts	4
1G 5801	Clips	4
5C 2908	Rivets	4
1G 5671	Front Spring Pins, front end	2
2K 3978	Nuts	2
2K 5861	Spring Washers	2
1G 5677	Front Spring Shackle Plates with two pins	2
2K 5878	Shackle Plates (loose)	4
2K 3987	Washers for shackle pins	8
2K 5861	Nuts and locknuts for shackle pins	4
2H 2793	Spring Washers	4
1G 5577	Grease Nipples	4
2K 3977	Front Spring Clips	8
2K 6059	Nuts	4
1G 5019	Lockwashers	4
G3-130	Pads	2
G3-104	Rear Springs with bushes and liner	2
1G 5680	Main Leaf with bushes and liner	2
1G 5678	Liners	2
2H 2739	Bushes (bronze)	8
1G 5778	Bushes (steel and rubber)	2
1G 5779	2nd Leaf	2
1G 5780	3rd Leaf	2
1G 5781	4th Leaf	2
1G 5682	5th Leaf	2
1G 5783	6th Leaf	2
1G 5784	7th Leaf	2
1G 5785	8th Leaf	2
1G 5786	9th Leaf	2
2K 3975	Toe Bolts	2
1G 5787	Nuts for toe bolts	4
5C 2911	Clips (4th Leaf)	4
1G 5788	Rivets (4th Leaf)	4
5C 2908	Clips (7th Leaf)	4
1G 5789	Rivets (7th Leaf)	4
1G 5790	Flat head screws	4
1G 5672	Distance tubes	2
2K 3978	Rear Spring Pins, front end	2
2K 5861	Nuts	2
1G 5676	Spring Washers	2
1G 5677	Rear Spring Shackle Plates with two pins	2
2K 5878	Shackle Plates (loose)	4
2K 3987	Washers for shackle pins	8
2K 5861	Nuts and Locknuts for shackle pins	4
2H 2793	Spring Washers	4
2H 2794	Grease Nipples, lower	2
1G 5733	Grease Nipples, upper	2
2K 3977	Rear Spring Clips	16
2K 5863	Nuts and Locknuts	8
1G 5753	Spring Washers	2
	Pads	2

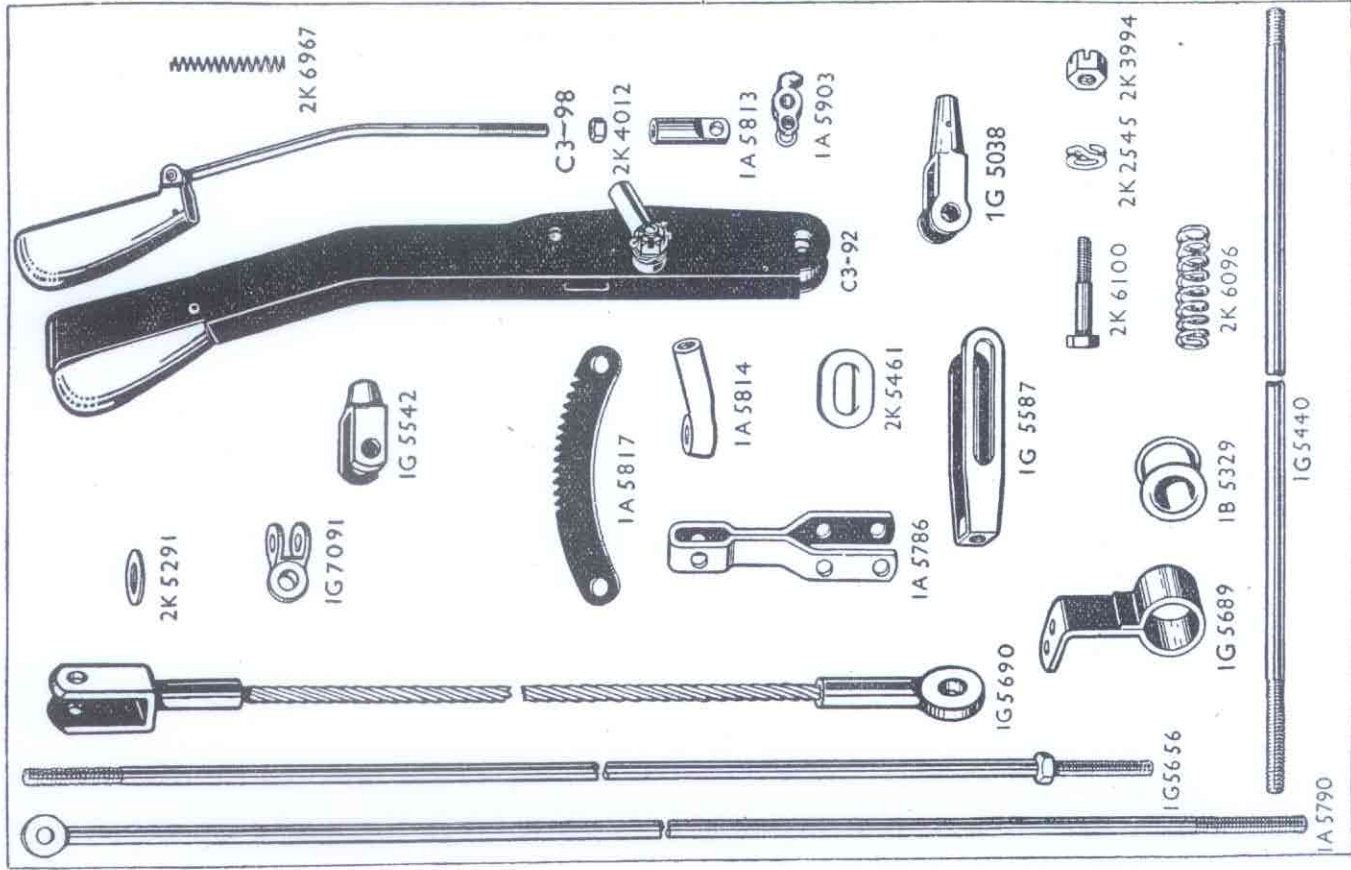
HAND AND FOOT CONTROLS

Part Number	DESCRIPTION	Number per vehicle
1G 5685	Clutch Pedal Pad with stalk	1
1G 5028	Rubber for pedal pad	1
1A 3652	Clutch Pedal Lever with bushes	1
1G 5054	Bushes for clutch pedal lever	2
2H 2793	Greaser	1
2K 3094	Clamp Bolt for clutch pedal lever	1
2K 5319	Spring Washer	1
1A 3655	Clutch Pedal Shaft	1
2K 5040	Lockwasher for clutch pedal shaft	1
2K 5110	Washer	1
1K 137	Spring Ring	1
1A 3656	Clutch Adjusting Rod	1
2K 3975	Locknut for rod	1
1G 5175	Fork for rod	1
2K 5622	Joint Pin for fork	1
2K 1231	Split Pin	1
2K 5295	Felt Rings	2
1G 5717	Brake Pedal Pad with stalk and support plate	1
1G 5028	Rubber for pedal pad	1
1A 5771	Brake Pedal Lever with sleeve and bushes	1
1A 5774	Zinc Bushes	2
2K 3094	Clamp Bolt for brake pedal lever	1
2K 5319	Spring Washer	1
1A 5779	Locating Clip	1
2H 2794	Greaser	1
1A 5818	Brake Pedal Return Spring	1
1A 5775	Brake Pedal Shaft with flange	1
2K 5257	Setscrews to frame	2
2K 5319	Spring Washers	2
1A 5778	Locating Clip for shaft	1
2K 3055	Bolt for clip	1
2K 3975	Nut	1
2K 1202	Washer	1
2K 3137	Bolt, clip to brace member	1
2K 3977	Nut	1
2K 5895	Spring Washer	1
1A 5780	Brake Pedal Adjusting Lever	1
2K 5322	Adjusting Screw	1
2K 3985	Locknut	1
1A 5781	Trunnion	1
1E 5537	Spring	1
1A 5782	Collar for brake compression spring	1
1A 5783	Adjusting Nut	1
C3-92	Hand Brake Lever Assembly, including Lever, Trigger and Catch Rod, Spring and Adjuster, Bolt, Nut and Spring Washer	1
2K 6099	Bolt, hand brake lever to bracket	1
2K 3995	Nut	1
2K 1231	Split Pin	1
C3-98	Trigger and Catch Rod, with catch spring and Adjuster	1
1A 5811	Rivet	1
2K 6296	Peg	1



HAND AND FOOT CONTROLS—contd.

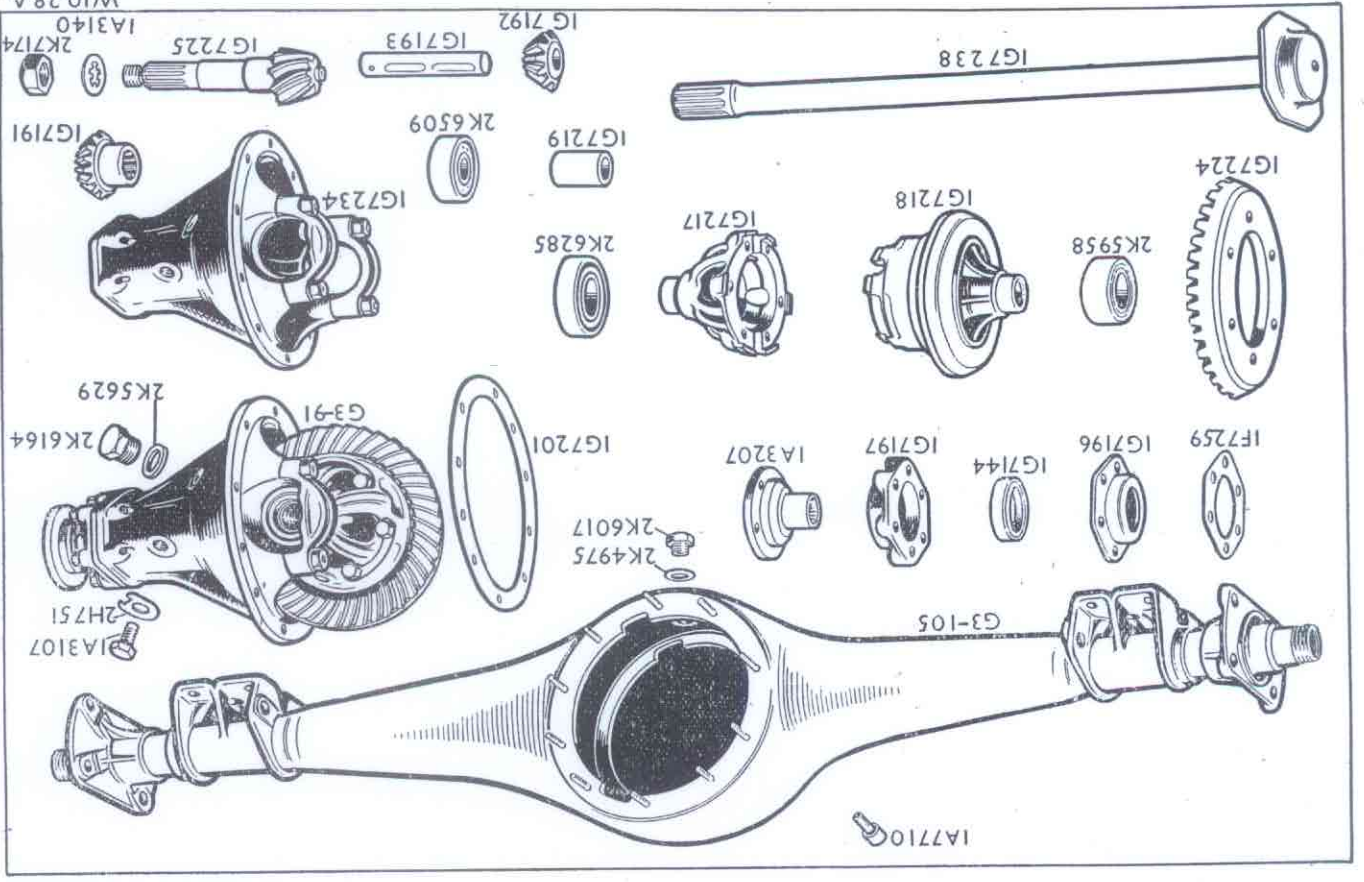
Part Number	DESCRIPTION	Number per vehicle
1A 5903	Catch	1
2K 6103	Peg	1
2K 6967	Spring for catch	1
2K 5556	Joint Pin for catch	1
2K 1224	Split Pin	1
2K 4012	Locknut for catch rod	1
1A 5813	Adjuster for catch rod	1
1A 5817	Quadrant	1
2K 3093	Setscrews to bracket	2
2K 1211	Spring Washers	2
1G 5656	Hand Brake Rod with nut	1
2K 5826	Locknut	1
2K 5461	Rubber Ferrule for rod in main cross member	1
1A 5814	Adjuster for hand brake rod	1
2K 6100	Bolt	1
2K 2545	Double Coil Spring Washer	1
2K 3994	Nut	1
2K 1227	Split Pin	1
1G 5587	Sliding Link with block	1
2K 5622	Joint Pin	1
2K 1203	Washer	1
2K 1231	Split Pin	1
1A 5786	Rear Brake Link	1
2K 4906	Joint Pins	3
2K 1224	Split Pins	3
2K 5220	Felt Rings	6
1G 7091	Brake Balance Lever Links	2
2K 5221	Joint Pins	2
2K 1224	Split Pins	2
1G 5440	Brake Rod, adjusting lever to front balance lever link	1
1G 5542	Fork	1
2K 3975	Locknut	1
2K 4906	Joint Pin	1
2K 1224	Split Pin	1
2K 5291	Felt Rings	2
1A 5790	Brake Rod, adjusting lever to rear link	1
1G 5038	Fork	1
2K 5622	Joint Pin	1
2K 1231	Split Pin	1
1G 5833	Felt Rings	2
1G 5689	Steady for rear brake rod	1
2K 3028	Setscrews to floor	2
2K 1209	Spring Washers	2
1B 5329	Rubber Ferrule for steady	1
2K 5461	Rubber Ferrule in main cross member	1
2K 6096	Spring	1
2K 3975	Locknut for spring	1
1G 5690	Brake Cable with eye-piece and fork	1
2K 4906	Joint Pin	1
2K 1224	Split Pin	1
2K 5291	Felt Rings	2



W10 27 A

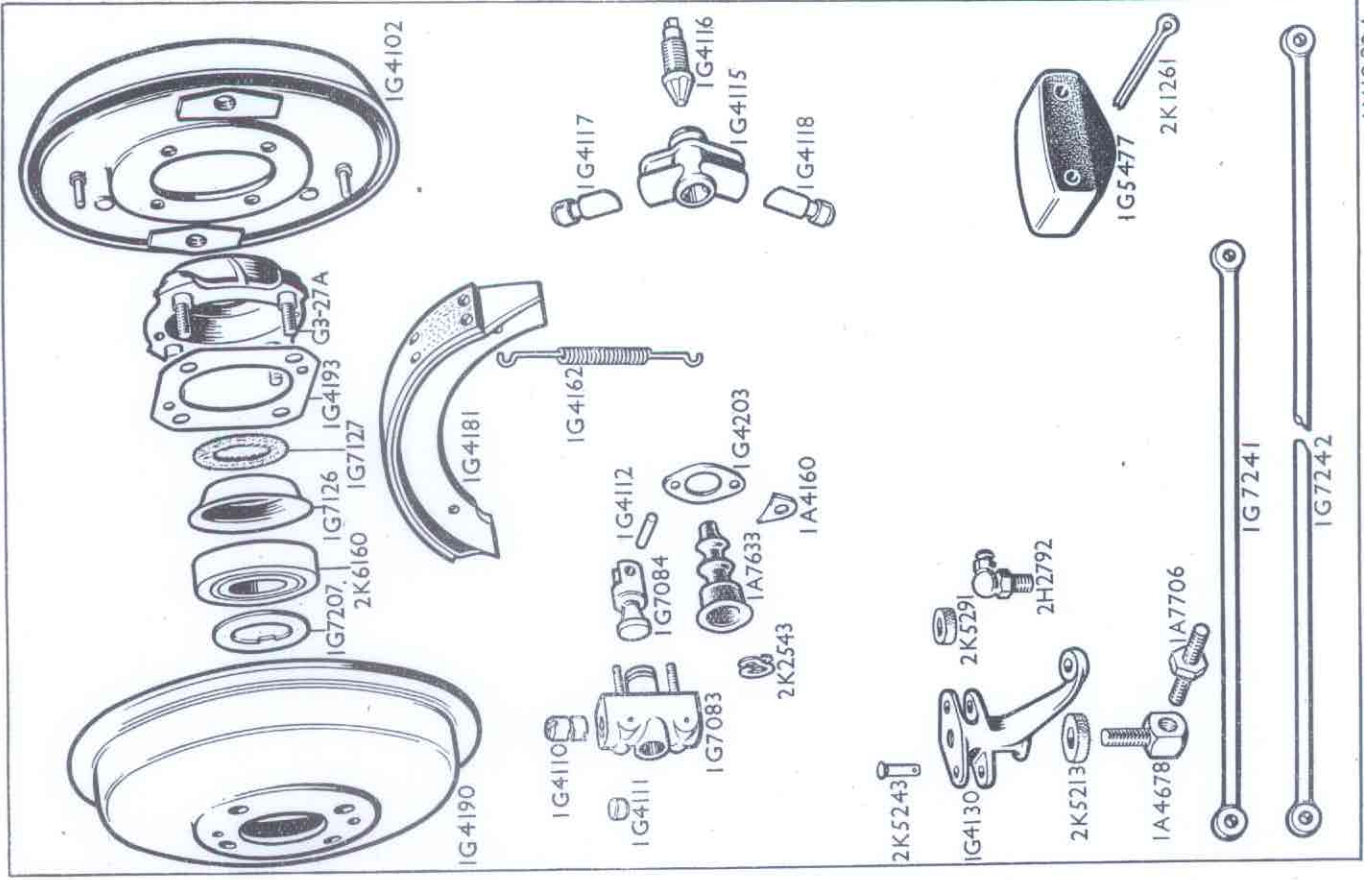
REAR AXLE

Part Number	DESCRIPTION	Number per vehicle
G3-108	Rear Axle Assembly with hubs, brake drums and brakes	1
G3-105	Rear Axle Case with spring seating, lug for shock absorber, balance lever bracket and studs for gear carrier	1
2K 6164	Oil Filler Plug	1
2K 5629	Washer for filler plug	1
2K 6017	Drain Plug	1
2K 4975	Washer for drain plug	1
1A 7710	Breather Stem with Shroud, for gear carrier	1
G3-91	Gear Carrier Assembly with differential cases and gears (7.43 tooth ratio)	1
1G 7234	Gear Carrier with differential bearing caps, studs, nuts and washers	1
2K 6148	Studs for differential bearing caps	4
2K 3977	Nuts	4
2K 5895	Spring Washers	4
1G 7201	Joint Washer	1
2K 3449	Studs for gear carrier to axle case	10
2K 3976	Nuts	10
2K 5319	Spring Washers	10
1G 7217/7218	Differential Cases, offside and nearside	1 pair
2K 8482	Setscrews	6
2K 5534	Lockwashers	3
1G 7191	Differential Wheels	2
1G 7192	Differential Pinions	2
1G 7193	Differential Pinion Centre	1
2K 6440	Peg, centre to differential case	1
1G 7224/7225	{ Bevel Pinion, 7 teeth } { Crown Wheel, 43 teeth } 6.14 to 1 ratio	1
2K 5954	Setscrews, crown wheel to differential case	8
2K 8787	Lockwashers	4
2K 6285	Double Purpose Ball Bearings— 40 X 80 X 18 X 17 1/2 mm	2
2K 5958	Double Purpose Ball Bearing with split outer race—25 X 62mm. X lin.	1
2K 6509	Roller Bearing—1 1/8 X 2 3/8 X 3/16 in.— for Pinion, rear	1
1A 3107	Retaining Screw for idler bearing	1
2H 751	Lockwasher	1
2K 7174	Nut for bevel pinion	1
1A 3207	Flange for Propellor Shaft	1
1A 3140	Lockwasher for flange nut	1
1G 7197	Front Bearing Cover	1
2K 6563	Setscrews	6
2K 6972	Lockwashers	3
1G 7196	Sleeve for Pinion Bearing	1
1G 7144	Oil Retainer for bearing	1
1G 7219	Pinion Adjusting Sleeve	1
1F 7259	Shims .004in. thick	as req'd
1F 7260	Shims .006in. thick	as req'd
1G 7238	Differential Shafts	2
G3-27A	Rear Hubs with wheel studs	2
1A 7709	Wheel Studs	8
1E 8006	Wheel Nuts	8



REAR AXLE—contd.

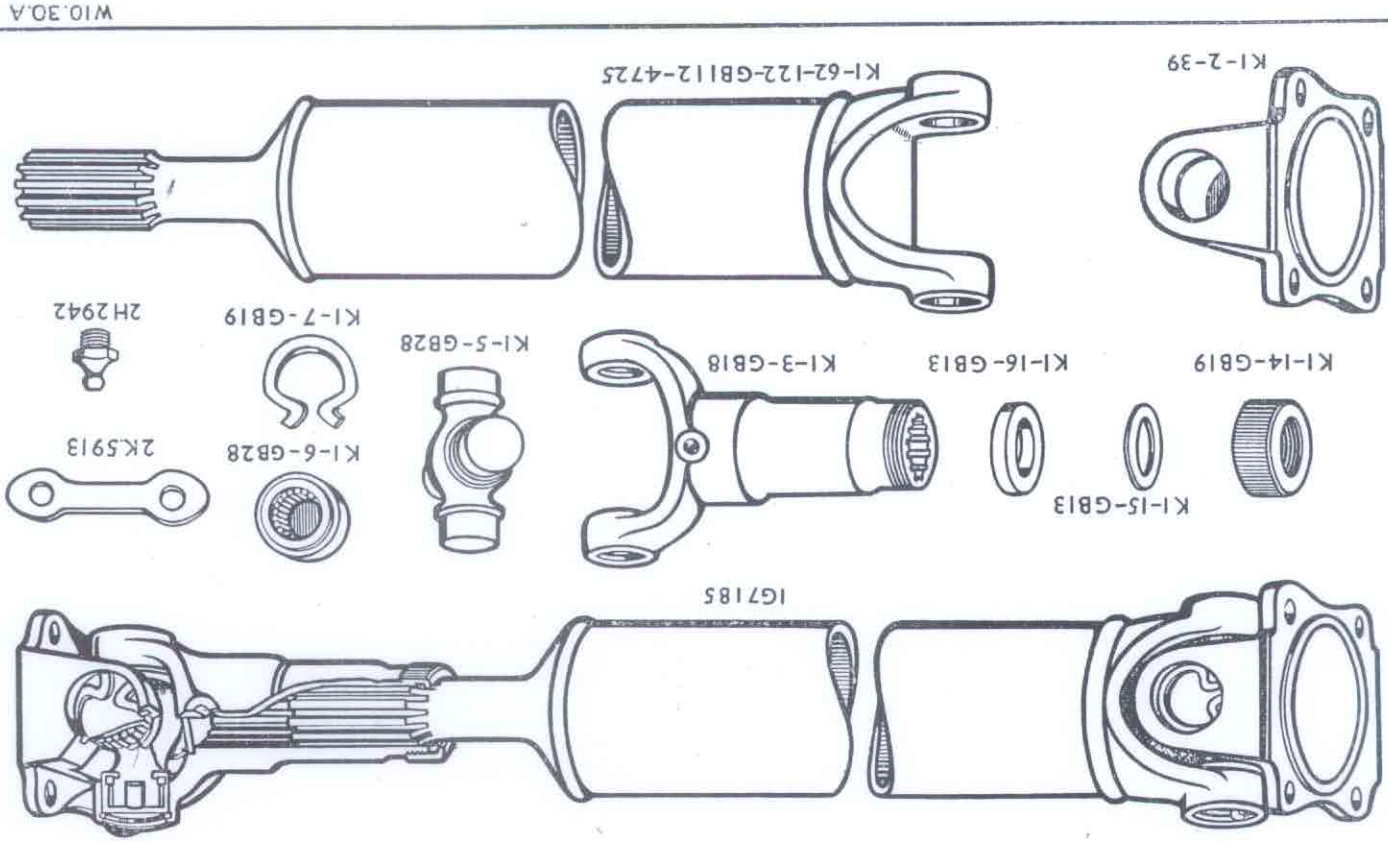
Part Number	DESCRIPTION	Number per vehicle
2K 6160	Ball Bearings—40 X 80 X 23 mm.	2
1G 4193	Washers for hubs	2
1G 7127	Oil Retaining Rings	2
1G 7126	Distance Rings	2
1G 7206	Nuts for bearings	2
1G 7207	Lockwashers	2
1G 4190	Brake Drums	2
2K 3825	Screws	4
1G 4102	Backplates for Brakes	2
2K 5268	Bolts, backplates to axle tube ends	8
2K 3977	Nuts	8
2K 5725	Lockwashers	4
1G 4181	Brake Shoes with Linings	4
1G 4183	Linings	4
2K 8942	Rivets	40
1G 4162	Brake Shoe Springs	4
G3-126	Rear Brake Expander Assemblies less brake rod, rubber dust cover and plate	4
1G 7083	Expander Housings with studs	2
2K 5207	Nuts for studs	2
2K 2543	Double Coil Spring Washers	4
2K 5208	Washers	4
2K 1227	Split Pins	4
1G 4110	Plungers for Expanders	4
2K 1233	Split Pins to retain plungers	4
1G 4111	Rollers	4
1G 7084	Cones	2
1G 4112	Pins for cones	2
1A 7633	Rubber Dust Covers	2
1G 4203	Plate for covers	2
1A 4160	Zinc washers	2
1G 4114	Brake Shoe Adjuster Assemblies with housing, plungers and cone	2
1G 4115	Adjuster Housings	2
2K 5219	Setscrews	4
2K 1211	Spring Washers	4
1G 4117	Plungers, offside lower and nearside upper positions	2
1G 4118	Plungers, nearside lower and offside upper positions	2
1G 4116	Cones	2
1G 4130	Brake Balance Lever	1
1A 4678	Carrier	1
1A 7706	Carrier Pin	1
2K 3977	Nut	1
2K 5895	Spring Washer	1
2K 5213	Felt Ring	1
2H 2792	Greaser	1
1G 7241	Brake Cross Rod, Offside	1
1G 7242	Brake Cross Rod, Nearside	1
2K 5243	Joint Pins, rods to balance lever	2
2K 1227	Split Pins	4
2K 5291	Felt Rings	4
1G 5477	Rear Axle Bumpers	2
2K 1261	Split Pins, bumpers to frame	4



W10.29.A.

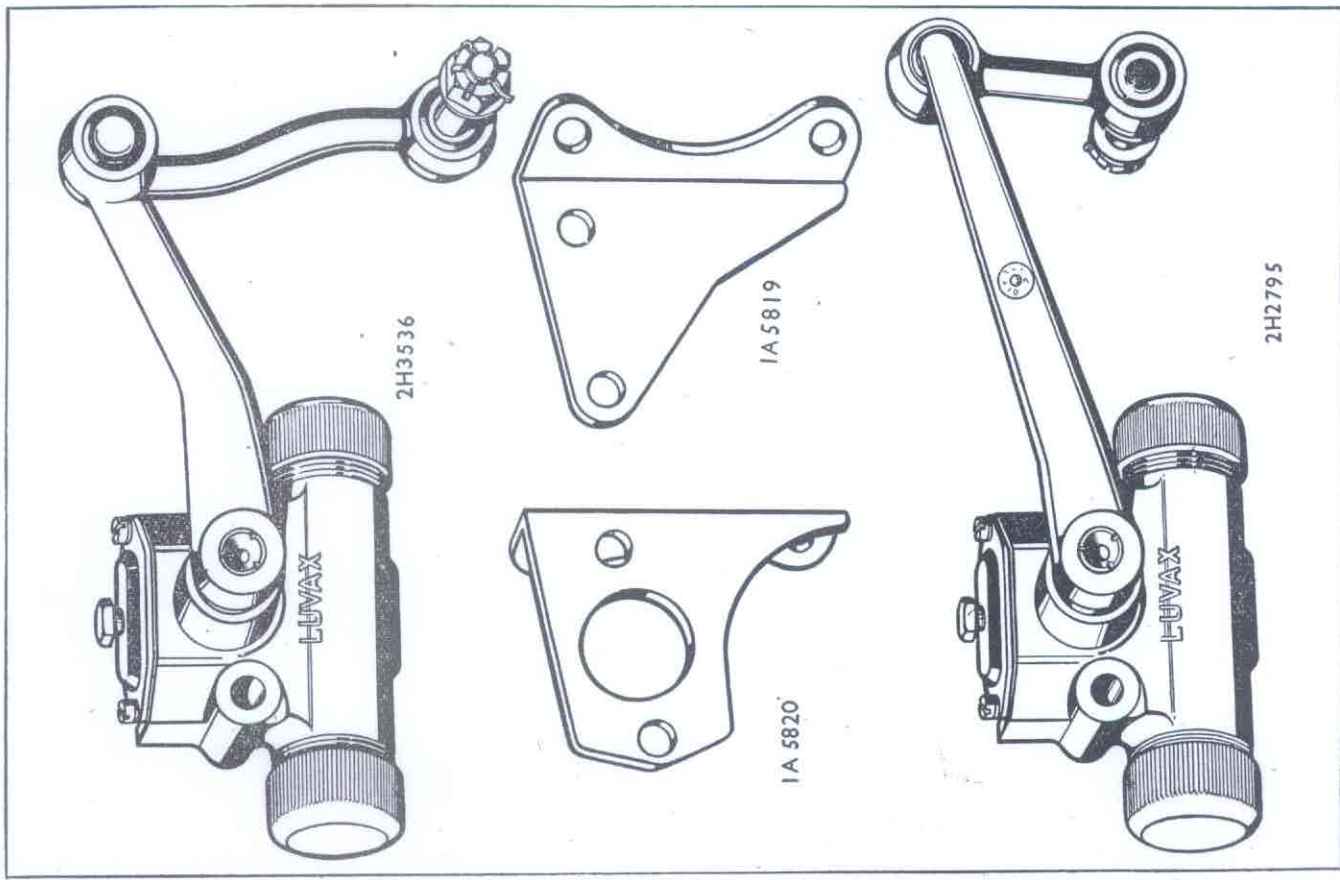
PROPELLER SHAFT

Part Number	DESCRIPTION	Number per vehicle
1G 7185	Propeller Shaft Assembly with joints	1
K1-62-122-GB. 112-4725	Propeller Shaft with bare ends	1
K1-2-39	Flange Yokes	2
K1-3-GB18	Sleeve Yoke	1
K1-14-GB19	Dust Cap	1
K1-15-GB13	Steel Washer	1
K1-16-GB13	Cork Washer	1
K1-5-GB28	Journal Assemblies including Gasket and Retainer	2
K1-6-GB28	Needle Bearing Assemblies (Race and Rollers)	8
K1-7-GB19	Snap Rings	8
2H 2942	Grease Nipple	1
2K 4899	Bolts for flanges	8
2K 3976	Nuts	8
2K 5913	Lockwashers	4



SHOCK ABSORBERS

Part Number	DESCRIPTION	Number per vehicle
2H 3536	Front Shock Absorber, offside ...	1
2H 3537	Front Shock Absorber, nearside ...	1
1A 5819	Bracket, front half, offside ...	1
1A 5820	Bracket, rear half, offside ...	1
1A 5821	Bracket, front half, nearside ...	1
1A 5822	Bracket, rear half, nearside ...	1
2K 6259	Bolts, bracket to frame and front mounting ...	2
2K 3976	Nuts ...	2
2K 5319	Spring Washers ...	2
2K 6064	Bolts, shock absorbers to brackets ...	4
2K 3977	Nuts ...	4
2K 5895	Spring Washers ...	4
2K 5675	Bolts, shock absorber brackets to frame, long ...	2
2K 8490	Bolts, shock absorber brackets to frame, short ...	4
2K 3977	Nuts for bolts ...	6
2K 5895	Spring Washers ...	6
1A 5770	Distance Pieces ...	4
2H 2795	Rear Shock Absorber, offside ...	1
2H 2796	Rear Shock Absorber, nearside ...	1
2K 5675	Bolts, shock absorbers to frame ...	4
2K 3977	Nuts ...	4
2K 5895	Spring Washers ...	4



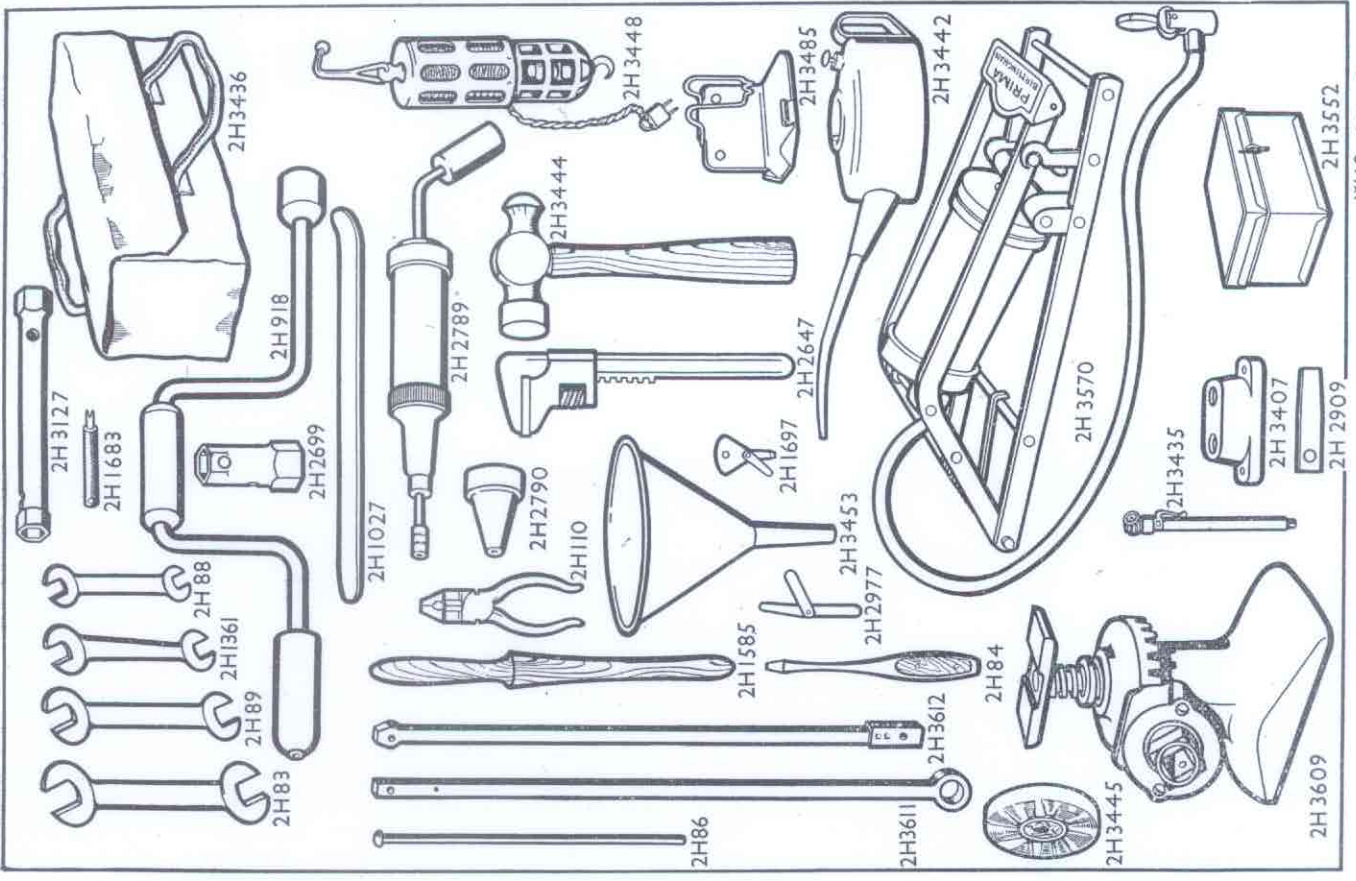
ROAD WHEELS

Part Number	DESCRIPTION	Number per vehicle
IG 8033	Road Wheels for 6-00in. X 16in. E.L.P.	5
	Tyres
IG 8034	Caps for wheels	4



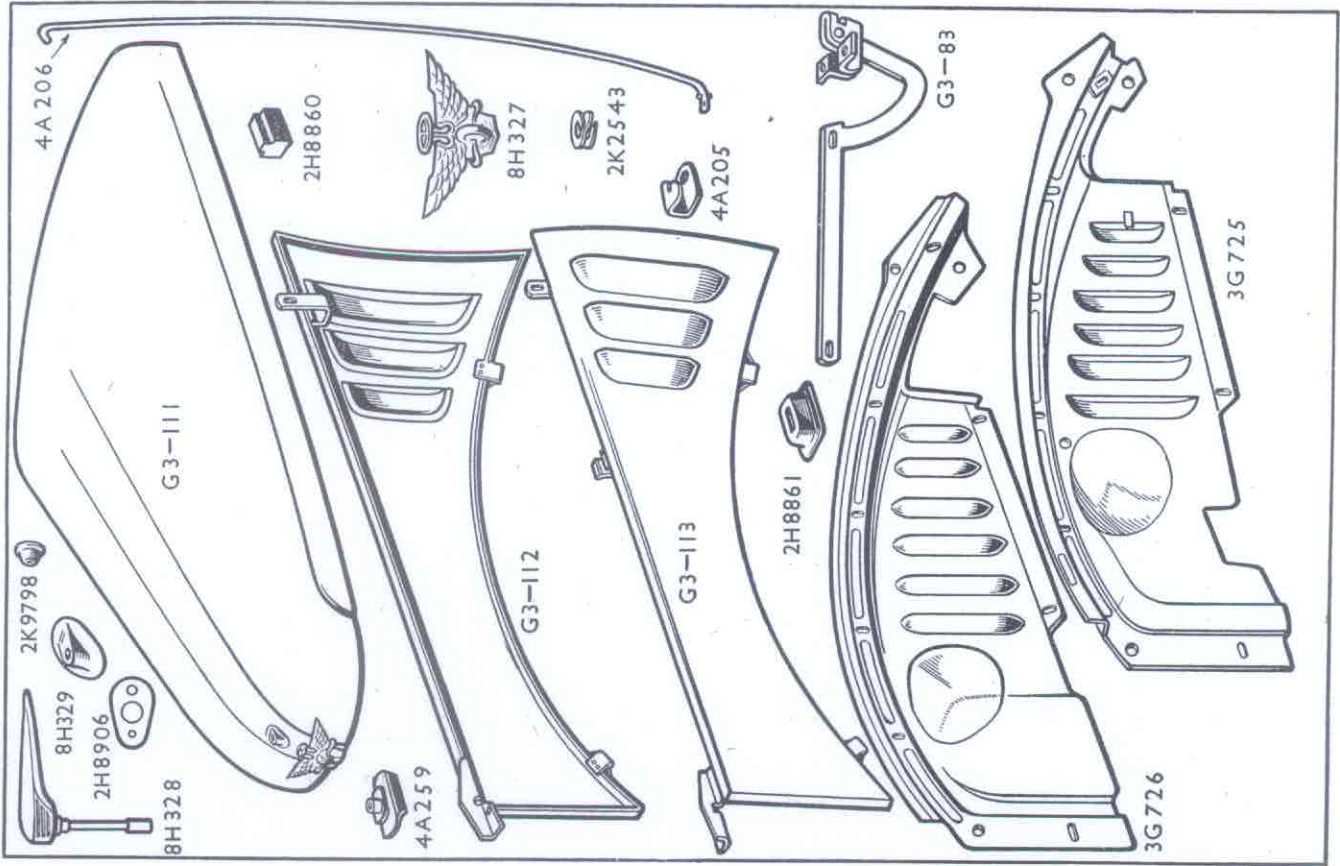
TOOLS

Part Number	DESCRIPTION	Number per vehicle
2H 1697	Ignition Gauge and Screwdriver	1
2H 1361	Tappet Screw Spanner	1
2H 2909	Locking Plate for tappet adjustment	1
2H 88	Double Ended Spanner, $\frac{3}{16}$ in. \times $\frac{1}{4}$ in.	1
2H 89	Double Ended Spanner, $\frac{1}{8}$ in. \times $\frac{3}{8}$ in.	1
2H 83	Double Ended Spanner, $\frac{1}{16}$ in. \times $\frac{1}{2}$ in.	1
2H 2699	Sparkling Plug Box Spanner	1
2H 2977	Sparkling Plug and Tappet Clearance Gauge	1
2H 86	Tommy Bar	1
2H 3127	Box Spanner, $\frac{3}{8}$ in. \times $\frac{1}{4}$ in.	1
2H 2647	Adjustable Spanner	1
2H 84	Screwdriver	1
2H 110	Combination Pliers	1
2H 3444	Hammer	1
2H 1027	Tyre Levers	2
2H 1683	Tyre Valve Tool	1
2H 3435	Tyre Pressure Gauge (Schrader No. 7750)	1
2H 3609	Lifting Jack	1
2H 3612	Shaft for jack—jack end	1
2H 3611	Shaft for jack—handle end	1
2H 1585	Handle only	1
2H 918	Wheel Brace	1
2H 3570	Tyre Foot Pump	1
2H 2789	Grease Gun, less adaptor	1
2H 2790	Adaptor for grease gun	1
2H 3448	Inspection Lamp with Cable and Plug (12-volt)	1
2H 3453	Oil Funnel	1
2H 3442	Oil Can	1
2H 3485	Oil Can Carrier	1
2H 3407	Bracket for Spare Sparking Plug	1
2H 3445	Tin or Roll of Insulating Tape ($\frac{1}{2}$ in. wide)	1
2H 3446	Copper Wire (15 feet)	1
2H 3552	Tin Box with spare lamp bulbs	1
2H 3454	Tin Box only	1
2H 3553	Head Lamp Bulb (12v. 36 w. Lucas No. 54)	1
2H 3554	Side Lamp Bulb (12v. 6 w. Lucas No. 207)	1
2H 2037	Tool Wrap	1
2H 3436	Tool Bag	1



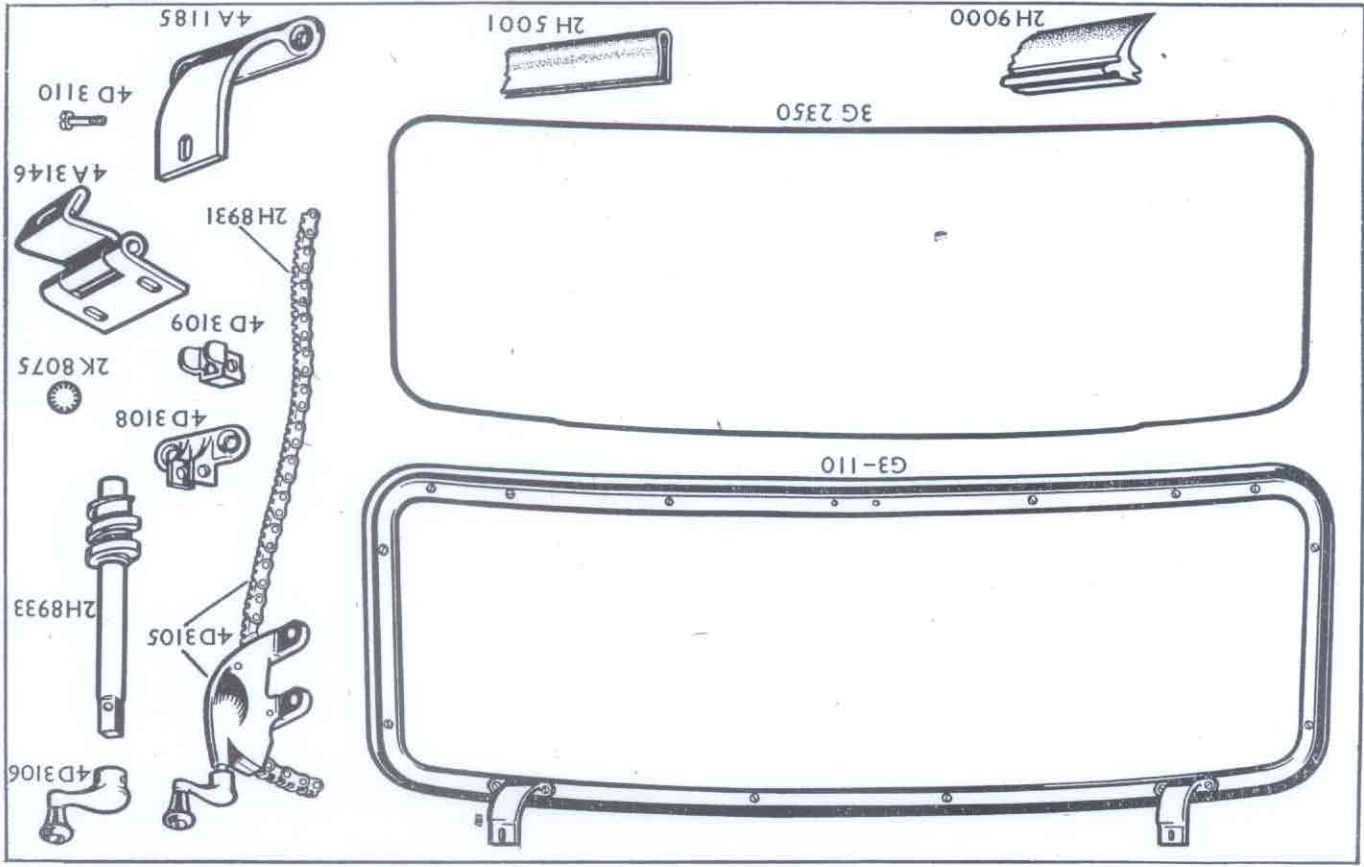
BONNET AND FLITCH PLATES

Part Number	DESCRIPTION	Number per vehicle
G3-112	Bonnet Side—Offside—with Webbing	1
G3-113	Bonnet Side—Nearside—with Webbing	1
2K 3048	Bolts to cowl	2
2K 9580	Bolts to dash	2
2K 9505	Plain Washers	3
2K 1210	Spring Washers	4
2H 8880	Webbing	4
2K 9821	Rivets	8
G3-111	Bonnet Top with Rubber Buffers and Hinge	1
8H 327	Trade Mark	1
2K 3938	Screws	2
2K 9798	Cap Washers	2
2K 1209	Spring Washers	2
8H 328	Locking Handle	1
8H 329	Escutcheon for handle	1
2H 8906	Washer for escutcheon	1
2K 3938	Screws	2
2K 9798	Cap Washers	2
2K 1209	Spring Washers	2
4A 259	Lock Catch	1
2K 6865	Spring Washer	1
2K 1203	Plain Washer	1
2K 1231	Split Pin	1
2H 8860	Rubber Buffers	4
G3-83	Hinge Arms with Brackets	2
2H 8861	Rubber Ferrules	2
2K 3048	Bolts to bonnet top	4
2K 3975	Nuts	4
2K 9886	Plain Washers	8
2K 1210	Spring Washers	4
2K 3046	Bolts to dash	4
2K 1210	Spring Washers	4
4A 165	Hinge Bracket—Offside	1
4A 166	Hinge Bracket—Nearside	1
2K 3047	Bolts to bonnet top	2
2K 3975	Nuts	2
2K 9993	"D" Washers	4
2K 1210	Spring Washers	2
4A 206	Prop Rod	1
2K 1231	Split Pin	1
2K 9886	Plain Washer	1
2K 2543	Double Coil Spring Washer	1
4A 205	Bracket for Prop Rod	1
3G 725	Front Flitch Plate—Offside	1
3G 726	Front Flitch Plate—Nearside	1
2K 3047	Bolts to cowl	2
2K 2530	Nuts for bolts	2
2K 9007	Plain Washers	2
2K 1210	Spring Washers	2
2K 3046	Bolts to scuttle	4
2K 9007	Plain Washers	4
2K 1210	Spring Washers	4
2K 3048	Bolts to side members	4
2K 3975	Nuts for bolts	4
2K 9998	Plain Washers	4
2K 1210	Spring Washers	4
3F 90	Rubber Ferrules on Flitch Plates	2



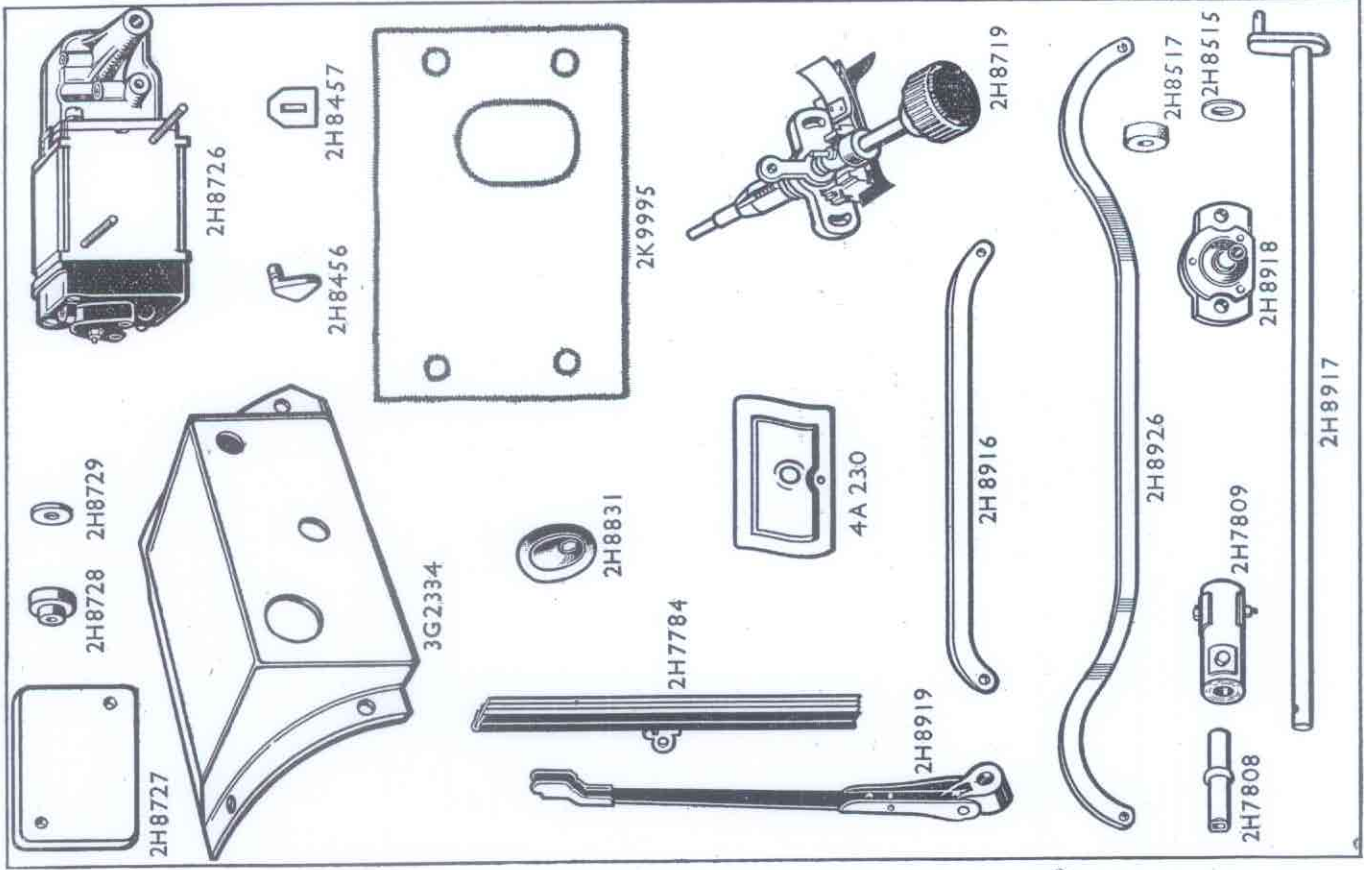
WINDSCREEN

Part Number	DESCRIPTION	Number per vehicle
G3-110	Windscreen Assembly with Glass and Hinge Support Brackets ...	1
3G 2350	Screen Glass—Laminated Plate ...	1
2H 5001	Glazing Rubber for Glass (White) ...	as req'd
2H 9000	Weather Strip (Black Rubber) ...	1
4A 1185	Screen Hinge Support Bracket—Offside	1
4A 1186	Screen Hinge Support Bracket—Nearside	1
2K 3823	Screws to screen frame ...	4
2K 3049	Bolts to screen hinges ...	2
2K 3975	Nuts for bolts ...	2
2K 9886	Plain Washers ...	2
2K 1210	Spring Washers... ..	2
4A 3146	Screen Hinge Assemblies ...	2
2K 9580	Bolts to cab roof ...	4
2K 9886	Plain Washers ...	4
2K 1210	Spring Washers... ..	4
4D 3105	Screen Centre Control Assembly	1
4D 3106	Handle ...	1
4D 3107	Screw for handle ...	1
2H 8931	Chain ...	1
2H 8933	Driving Shaft ...	1
2K 9580	Bolts to dash ...	4
2K 8075	Shakeproof Washers ...	4
4D 3108	Bracket for Centre Control	1
2K 3808	Screws to screen frame ...	2
4D 3109	Adaptor for bracket ...	1
4D 3110	Pin—adaptor to bracket ...	1



WINDSCREEN WIPER

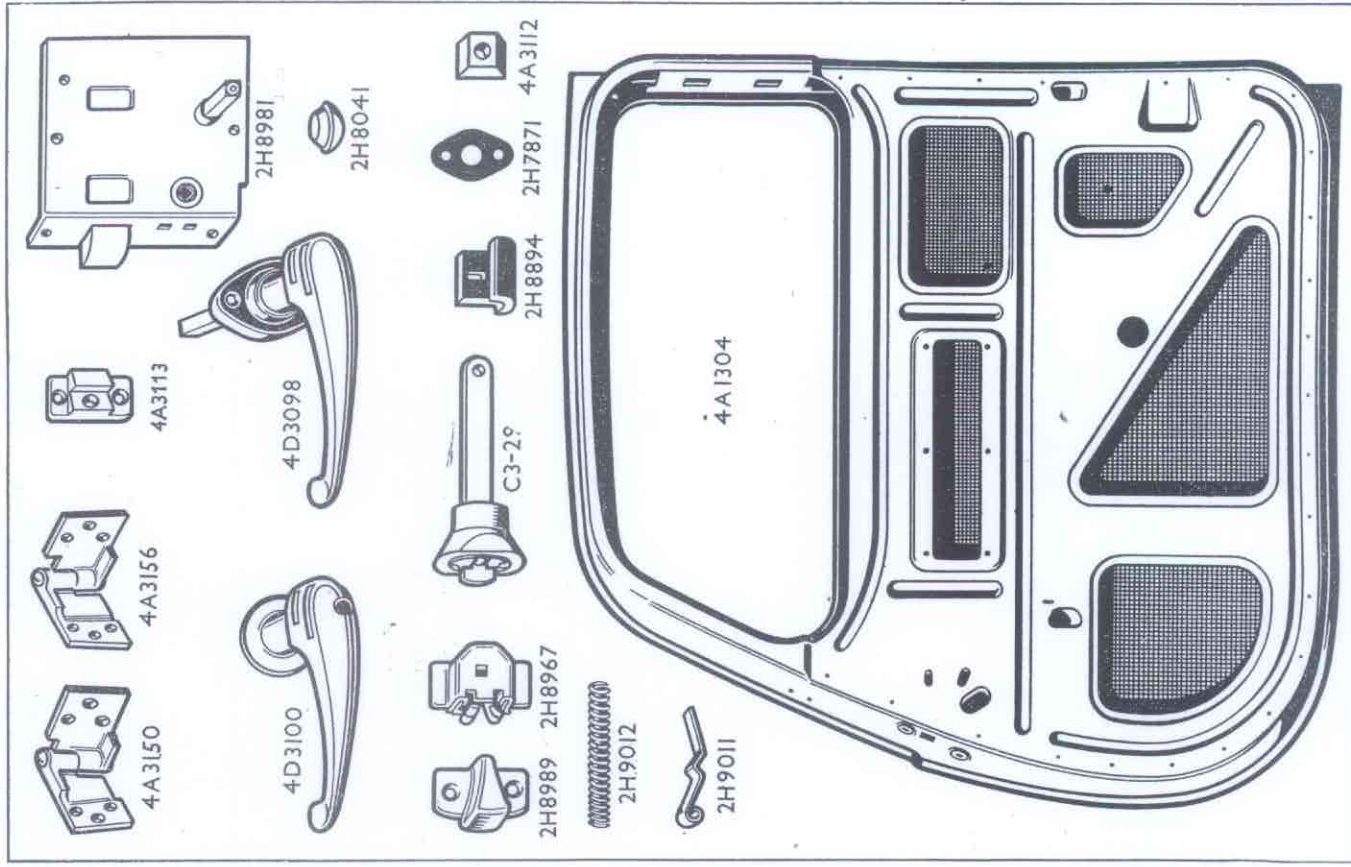
Part Number	DESCRIPTION	Number per vehicle
2H 8924	Windscreen Wiper Assembly with Motor, Driving Shaft, Blades and Fittings	1
2H 8726	Wiper Motor only	1
2H 8727	Rubber Packing for motor	1
2H 8728	Rubber Ferrules	2
2H 8729	Washers	2
3G 2334	Bracket for Wiper Motor	1
2K 9995	Felt	1
2K 3884	Bolts to dash	4
2K 1210	Spring Washers	4
2H 8719	Clutch and Switch	1
2K 3941	Screws	4
2K 9015	Plain Washers	4
2K 1209	Spring Washers	4
2H 8510	Clutch Knob—Offside	1
2H 8511	Clutch Knob—Nearside	1
2H 8512	Grub Screws	2
2H 8926	Clutch Coupling Link	1
2H 8916	Driving Link	1
2H 8517	Felt Washers	3
2H 8518	Hallite Washers	4
2H 8519	Spring Washers	3
2H 8516	Pen Steel Washers	9
2H 8520	Packing Washer	1
2H 8917	Driving Shaft	1
2H 8515	Washer—pen steel	1
2H 7808	Driving Shaft Extension	1
2H 7809	Rubber Coupling—Driving Shaft...	1
2H 8918	Driving Shaft Bearing and Bracket	1
2K 3941	Screws	2
2K 9960	Plain Washers	2
2K 1209	Spring Washers	2
2H 8919	Wiper Arms	2
2H 7784	Wiper Blades	2
2H 8456	Rubber Buffers	2
2H 8457	Rubber Liners between arms and blades	2
2H 8831	Rubber Ferrules for Wiper Spindles in Scuttle Panel	2
4A 230	Cover Plate for Blade Control	1
2K 4548	Screw	1
2H 7046	Cable—Wiper Switch to Motor	1



W10.36.A

DOORS AND FITTINGS

Part Number	DESCRIPTION	Number per vehicle
G3-117	Door, Offside, upholstered and painted, complete with all fittings, including Window Regulator, Glass, Handles, Locks and Hinges ...	1
G3-118	Door, Nearside, upholstered and painted, complete with all fittings, including Window Regulator, Glass, Handles, and Hinges ...	1
4A 1168	Door Glasses—Toughened Sheet	2
4A 1304	Door Panel only (Painted), Offside	1
4A 1305	Door Panel only (Painted), Nearside	1
4A 3150	Hinge—Top—Offside	1
4A 3151	Hinge—Top—Nearside	1
4A 3156	Hinge—Bottom—Offside	1
4A 3157	Hinge—Bottom—Nearside	1
3G 3699	Screws for hinges—to doors	12
6K 9012	Shakeproof Washers	12
2K 4349	Screws to door pillars	4
2K 3975	Nuts for screws	4
2K 9420	Plain Washers	4
2K 1210	Spring Washers	4
5C 178	Wood screws	8
2H 8981	Door Lock—Offside	1
2H 8982	Door Lock—Nearside	1
2K 7875	Screws to shut pillars	4
2K 9603	Shakeproof Washers	4
6K 9014	Screws to door inner panels	4
2K 9960	Plain Washers	4
2K 1209	Spring Washers	4
2H 9012	Lock Springs (Coil)	2
2H 9011	Lock Springs (Flat)	2
4A 3113	Striking Plates for Lock Bolts	2
2K 3808	Screws	6
2K 9603	Shakeproof Washers	6
4D 3098	Door Outside Handles	2
2H 7871	Escutcheon Washers for handles	2
4D 3099	Screws	4
4D 3100	Door Inside Lock Handles	2
4D 3103	Screws	2
2K 8620	Spring Washers	2
2H 8967	Door Dovetails (Female) including Blocks, Springs and Felts	2
2H 8989	Door Dovetails (Male)	2
2K 3824	Screws	4
2K 9847	Shakeproof Washers	4
2H 8894	Door Bumpers (Rubber)	4
4A 3112	Retainers	4
2K 7875	Screws	4
2H 8041	Door Buffers (Rubber), for Glass Channels	8
C3-29	Door Check Straps	2

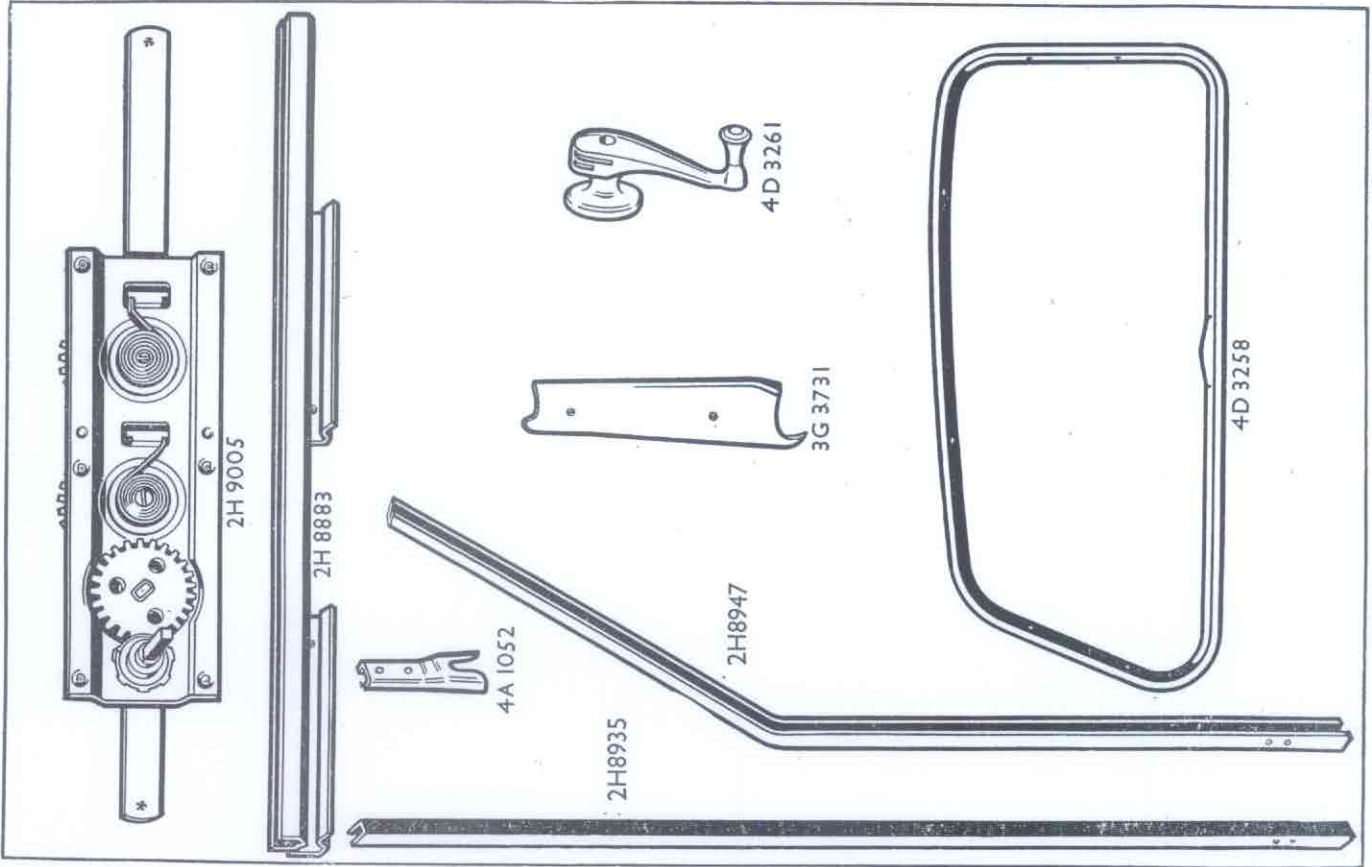


WINDOW REGULATORS AND CHANNELS

Part Number	DESCRIPTION	Number per vehicle
2H 9005	Window Regulator—Offside	1
2H 9006	Window Regulator—Nearside	1
2K 9912	Bolts	12
2K 1210	Spring Washers	12
2H 8883	Channel—Offside	1
2H 8884	Channel—Nearside	1
4D 3261	Handles for Regulators	2
4D 3264	Screws	2
2K 8620	Spring Washers	2

GLASS CHANNELS

Part Number	DESCRIPTION	Number per vehicle
2H 8947	Glass Channel—Shut Pillar, Offside	1
2H 8948	Glass Channel—Shut Pillar, Nearside	1
2H 8935	Glass Channel—Hinge Pillar, Offside	1
2H 8936	Glass Channel—Hinge Pillar, Nearside	1
4A 1052	Attachment Clips	4
2K 2319	Rivets—clips to channels	8
4A 1051	Bolts	4
3G 627	Nuts	4
2K 1210	Spring Washers	4



WEATHER STRIPS

Part Number	DESCRIPTION	Number per vehicle
2H 8887	Weather Strips—Door Glasses—Upper	2
2H 8959	Weather Strips—Door Glasses—Cross Channels	2
2H 9073	Weather Strips—Door Tops	2
2H 8419	Draught Rolls—Hinge Pillars and Doorway (Bottom)	2
2H 9528	Draught Rolls—Scuttle Pillars and Doorway (Top)	2

METAL MOULDINGS

Part Number	DESCRIPTION	Number per vehicle
4D 3258	Door Moulding—Offside	1
4D 3259	Door Moulding—Nearside	1
6K 9141	Screws 1in. long	4
6K 9140	Screws— $\frac{3}{4}$ in. long	8
3G 3731	Front Pillar Moulding—Offside	1
3G 3732	Front Pillar Moulding—Nearside	1
5C 1535	Wood screws	4

CASINGS

Part Number	DESCRIPTION	Number per vehicle
4D 3378	Door Casings—Trimmed	2
2H 8996	Clips	60
2H 8997	Clip Retainers	60
6K 9067	Felt Packings	2
4D 3380	Hinge Pillar Casings—Trimmed	2
5C 8679	Wood screws	14
2K 9689	Escutcheons	14
5C 2145	Escutcheon Pins	8
6K 9138	Breeching Staples	2
5C 487	Wood screws	4
4D 3379	Cant Rail Casings—Trimmed	2
6K 9010	Drive Screws	6
2K 9689	Escutcheons	6
4D 3080	Canopy Casing—Trimmed	1
6K 9010	Drive Screws	11
2K 9689	Escutcheons	11

SEATS

Part Number	DESCRIPTION	Number per vehicle
G3-119	Front Seat Assemblies with Cushions—Upholstered ...	2
G3-120	Front Seat Cushions ...	2
4D 3147	Front Seat Slides (Plain) ...	2
4D 3148	Front Seat Slides (Notched) ...	2
6K 9002	Screws—front end of slides ...	4
2K 1210	Spring Washers ...	4
3F 3526	Screws—rear end of slides ...	2
2K 9847	Shakeproof Washers ...	2
4D 3111	Front Seat Bottom Frame Assemblies ...	2
C3-126	Back Panel Assemblies for Front Seats—Upholstered ...	2
2K 6186	Joint Pins for pivots ...	4
2K 9006	Plain Washers for joint pins ...	4
2K 1231	Split Pins ...	4
G3-114	Occasional Seat Assembly—Offside ...	1
G3-115	Occasional Seat Assembly—Nearside ...	1
5C 107	Woodscrews to base boards ...	36
4D 3142	Seat Hinges ...	4
4D 3141	Washer Plates ...	4
2K 3815	Screws to base boards ...	12
2K 4012	Nuts for screws ...	12
2K 9015	Plain Washers ...	12
5C 156	Woodscrews ...	12
4D 3375	Occasional Seat Support Assembly	1
2K 3046	Bolts to floor ...	2
2K 3975	Nuts for bolts ...	2
2K 9505	Plain Washers ...	2
2K 1210	Spring Washers ...	2

CAB AND BODY PANELS;
TAILBOARD ASSEMBLY

Part Number	DESCRIPTION	Number per vehicle
4D 3040	Roof Panel Assembly ...	1
4D 3381	Dash Panel ...	1
3G 1783	Scuttle Panel, Side, Offside ...	1
3G 1784	Scuttle Panel, Side, Nearside ...	1
4D 3065	Wheel-Arch Panel Assembly—Offside ...	1
4D 3066	Wheel-Arch Panel Assembly—Nearside	1
4D 2034	Body Side Panel Assembly—Offside ...	1
4D 2035	Body Side Panel Assembly—Nearside	1
4D 2040	Body Skirt Panel—Rear ...	1
4D 3045	Tailboard Assembly ...	1
4D 3052	Hinges for Tailboard ...	2
6K 9090	Bolts to tailboard ...	4
6K 9114	Bolts—2 $\frac{3}{8}$ in. long—to body ...	2
6K 9128	Bolts—2 $\frac{3}{8}$ in. long—to body ...	2
2K 3976	Nuts for bolts ...	8
6K 9057	Plain Washers ...	8
2K 1211	Spring Washers... ..	8
4D 3055	Securing Pegs with Plates	2
5C 138	Woodscrews ...	4
4D 3075	Chain and Hook Assemblies	2
2K 9901	Plain Washers ...	2
2K 3977	Nuts ...	2
4D 1796	Key and Chain Assemblies	3
2K 9899	Bolts—2 $\frac{1}{2}$ in. long ...	2
6K 9093	Bolt—2 $\frac{1}{2}$ in. long ...	1
2K 3976	Nuts for bolts ...	3
2K 9518	Plain Washers ...	3

TIMBER FOR CAB AND BODY

Part Number	DESCRIPTION	Number per vehicle
4D 3030	Roof Rail Assembly	1
4D 3226	Body Side Assembly—Offside	1
4D 3227	Body Side Assembly—Nearside	1
4D 3292	Body Skirt Packing—Rear	1
4D 3330	Floor Frame Assembly	1

FLOORBOARDS AND COVERS

Part Number	DESCRIPTION	Number per vehicle
4D 3352	Front Floorboard Assembly	1
4D 3361	Floorboard Loose Lid Assembly with Tab	1
4D 3366	Rear Floorboard Assembly	1
3G 721	Toeboard (Loose) Assembly	1
2K 9399	Felt Packings	3
2K 9999	Felt Packing	1
2K 3825	Screws	7
3A 661	Washers (countersunk)	7
2K 9847	Shakeproof Lockwashers	7
2H 8848	Toeboard Ferrules for Pedals	2
3G 724	Retaining Plate...	1
2K 3825	Screws	2
4D 3247	Floor Covering (Rubber)—Front—Offside	1
4D 3248	Floor Covering (Rubber)—Front—Nearside	1
2H 8874	Gearbox Cover (Rubber)	1
2H 8198	Cover Plug (rubber)	1
2K 3812	Screws	6
2K 9892	Washers	6
2K 9971	Drive Screws	2
2K 9577	Washers	2
4A 192	Centre Tunnel Cover	1
2K 3812	Screws	2
2K 9892	Washers	2
4D 3115	Inspection Well for Rear Axle	1
2H 9529	Weather Strip (sponge rubber)	1
2K 2343	Rivets	12
2K 3929	Screws	7
2K 4013	Nuts for screws	7
2K 9161	Plain Washers	7
2K 1366	Spring Washers	7

GUN MOUNTING, RIFLE CLIP AND FIRE EXTINGUISHER

Part Number	DESCRIPTION	Number per vehicle
4D 3277	Gun Mounting Retaining Plate—Front ...	1
4D 3281	Supports for Retaining Plate—Front ...	2
5C 58	Screws ...	4
4D 3279	Gun Mounting Retaining Plate—Rear ...	1
2K 3831	Screws ...	4
2K 3975	Nuts for screws ...	4
2K 1210	Spring Washers ...	4
4D 3304	Rifle Clip Assembly ...	1
4D 3306	Packing for clip ...	1
4D 3307	Packing for butt ...	1
8H 392	Fire Extinguisher (Pyrene) ...	1
8H 393	Bracket for Fire Extinguisher ...	1
2K 3809	Screws ...	5
2K 4012	Nuts for screws ...	5
2K 9015	Plain Washers ...	5
2K 1209	Spring Washers ...	5

TOOL BOXES

Part Number	DESCRIPTION	Number per vehicle
4D 3156	Tool Box Assembly—Offside—with Fasteners and Hinges ...	1
4D 3157	Tool Box Assembly—Nearside—with Fasteners and Hinges ...	1
4D 3164	Hinges for Lids ...	4
5C 522	Woodscrews 1½ in. long ...	4
5C 107	Woodscrews 1 in. long ...	8
5C 58	Woodscrews ¾ in. long ...	12
2K 3815	Screws 1½ in. long ...	4
2K 4012	Nuts for screws ...	4
2K 9960	Plain Washers ...	4
4D 857	Fasteners for Lids ...	4
2K 3815	Screws—1½ in. long ...	4
2K 4012	Nuts for screws ...	4
2K 9960	Plain Washers ...	4
5C 58	Woodscrews ...	16
4D 561	Hasp and Turn Buckles ...	4
5C 63	Woodscrews ...	8
5C 4284	Rivets ...	12
4D 351	Padlocks with Keys ...	4

TILT TUBES AND COVERING

Part Number	DESCRIPTION	Number per vehicle
4D 3269	Tilt Tube Assemblies (Front, Centre and Rear)	3
4D 3199	Brackets (Top) for Front Tilt Tube	2
2K 3055	Bolts— $1\frac{1}{2}$ in. long	2
2K 4350	Bolts— $1\frac{1}{2}$ in. long	2
2K 3975	Nuts for bolts	4
2K 9420	Plain Washers	4
2K 1210	Spring Washers	4
4D 3203	Bracket (Centre) Offside, for Front Tilt Tube	1
4D 3204	Bracket (Centre) Nearside, for Front Tilt Tube	1
2K 4350	Screws— $1\frac{1}{2}$ in. long	2
2K 9420	Plain Washers for screws	2
2K 3047	Bolts— $\frac{3}{4}$ in. long	2
2K 3975	Nuts for bolts and screws	4
2K 1210	Spring Washers for bolts and screws	4
4D 3209	Bracket (Bottom) Offside, for Front Tilt Tube	1
4D 3210	Bracket (Bottom) Nearside, for Front Tilt Tube	1
2K 4350	Screws— $1\frac{1}{2}$ in. long	2
2K 3053	Bolts— $1\frac{1}{2}$ in. long	2
2K 3975	Nuts for bolts and screws	4
2K 9420	Plain Washers	4
2K 1210	Spring Washers	4
4D 3274	Centre Tilt Tube Assembly	1
4D 3214	Brackets (Top) for Centre Tilt Tube	2
4D 3217	Brackets (Bottom) for Centre Tilt Tube	2
2K 3055	Bolts— $1\frac{1}{2}$ in. long	8
2K 3975	Nuts for bolts	8
2K 9420	Plain Washers	8
2K 1210	Spring Washers	8
4D 3275	Rear Tilt Tube Assembly	1
4D 3219	Brackets (Top) for Rear Tilt Tube	2
2K 3059	Bolts— $2\frac{1}{2}$ in. long	2
2K 3975	Nuts for bolts	2
2K 1210	Spring Washers	2
5C 138	Wood screws	2
4D 3222	Bracket (Bottom) Offside, for Rear Tilt Tube	1
4D 3223	Bracket (Bottom) Nearside, for Rear Tilt Tube	1
2K 3055	Bolts— $1\frac{1}{2}$ in. long	2
2K 3975	Nuts for bolts	2
2K 1210	Spring Washers	2
5C 138	Wood screws	2
4D 3419	Side Support Tubes (Tilt Top)	2
4D 3373	Stowage Bracket (Front), for Side Tube	1
4D 3374	Stowage Bracket (Rear), for Side Tube	1
5C 109	Wood screws	4
4D 1281	Rope Hooks—Double	4
5C 113	Wood screws	8
4D 3151	Rope Hooks—Single	8
2K 3817	Screws	16
2K 4012	Nuts for screws	16
2K 9960	Plain Washers	16
4D 3308	Tilt Cover and Division, Curtain Assembly	1
2H 9520	Tilt Back and Division, Curtain Lights	2
2H 9519	Side Lights	4
2H 9513	Lashing Ropes (Side), for Tilt Cover	2
2H 9518	Reeving Rope (Front), for Tilt Cover	1

SPARE WHEEL SUPPORT AND CLAMP

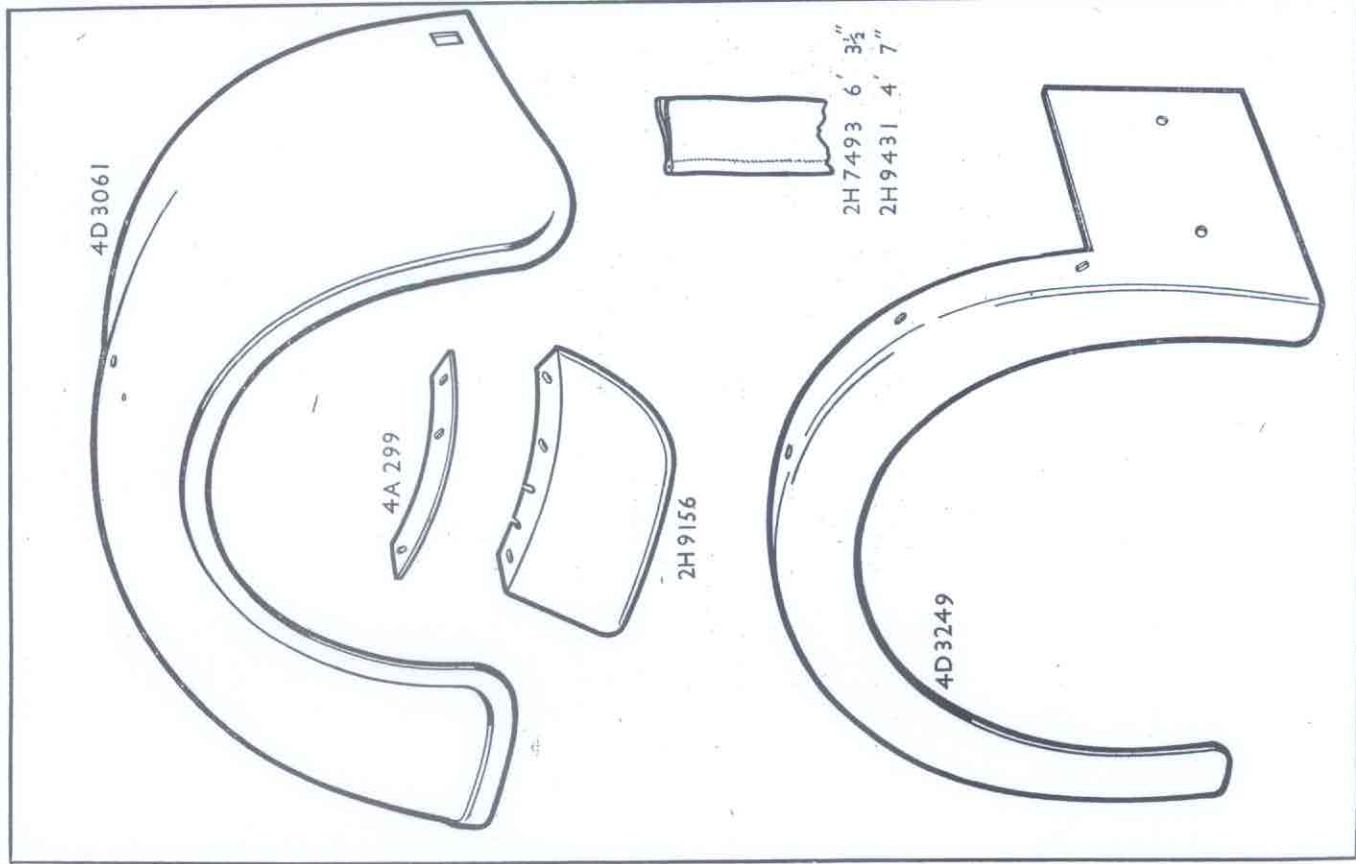
Part Number	DESCRIPTION	Number per vehicle
4D 3017/3018	Spare Wheel Support Plate	1
2K 3093	Bolts	4
2K 1211	Spring Washers	4
4D 3012	Spare Wheel Clamp Assembly	1
4D 3015	Clamp Ring	1
2K 1238	Split Pin	1

BATTERY CLAMP AND FITTINGS

Part Number	DESCRIPTION	Number per vehicle
4D 3182	Battery Clamp	1
4D 3183	Fixing Rod	1
4D 3184	Wing Nut	1
4D 3185	Support Plate	1
4D 3186	Tapped Plate	1
4D 3187	Packing Block (Side)	1
4D 3188	Packing Block (Rear)	1
2K 3816	Screw for block $1\frac{1}{2}$ in. long	1
2K 3818	Screws for block $1\frac{1}{2}$ in. long	2
2K 3819	Screws for block $1\frac{1}{2}$ in. long	2
2K 4012	Nuts for screws	5
2K 9907	Plain Washers	5
2K 1209	Spring Washers	5

MUDWINGS

Part Number	DESCRIPTION	Number per vehicle
4D 3061	Front Wing—Offside	1
4D 3062	Front Wing—Nearside	1
2K 3048	Bolts— $\frac{1}{2}$ in. long—to cowl bottom fixing bracket	2
2K 3047	Bolts— $\frac{1}{2}$ in. long—to radiator cowl and fitch plates	14
2K 3046	Bolts— $\frac{1}{2}$ in. long—to scuttle dash	6
2K 3975	Nuts for bolts	10
2K 9998	Plain Washers	8
2K 9007	Plain Washers	20
2K 1210	Spring Washers	22
2H 9156	Mudflap—Offside	1
2H 9157	Mudflap—Nearside	1
4A 299	Fixing Plates	2
2K 3093	Bolts	6
2K 3976	Nuts for bolts	6
2K 9799	Plain Washers	12
2K 1211	Spring Washers	6
4D 3249	Rear Wing—Offside	1
4D 3250	Rear Wing—Nearside	1
5C 9247	Woodscrews— $\frac{1}{2}$ in. long	16
2K 9799	Plain Washers	16
2K 3046	Bolts— $\frac{1}{2}$ in. long	4
2K 3975	Nuts for bolts	4
2K 9998	Plain Washers	4
2K 1210	Spring Washers	4
2H 7493	Wheel Arch Piping for Front Wings	2
2H 9431	Wheel Arch Piping for Rear Wings	2



MISCELLANEOUS

Part Number	DESCRIPTION	Number per vehicle
8H 333	Outside Driving Mirror	1
4D 3096	Supports	2
4D 3155	Stiffeners for Supports	2
2K 4689	Screws to mudwings	4
2K 4012	Nuts for screws	4
2K 1209	Spring Washers	4
2H 3617	Unit Sign Plate	1
2H 3618	Bridge Loading Disc	1
4D 3397	Trafficators	2
4D 3290	Cover Plate for Trafficator Wires—Offside	1
4D 3291	Cover Plate for Trafficator Wires—Nearside	1
5C 39	Woodscrews	12
4D 3298	Trafficator Bracket—Offside	1
4D 3299	Trafficator Bracket—Nearside	1
2K 3946	Screws	4
2K 4012	Nuts for screws	4
2K 3946	Spring Washers	4
5C 109	Woodscrews	4
4D 3297	Sun Vizor Assembly	1
2H 9055	Roof Lamp Assembly, with Bulb	1
2H 9503	Cover	1
2H 9502/4	Switch and Bulb Fixing Plate with Bulb	1
2H 9504	Bulb (12 volt)	1
3G 3686	Steering Column Clip	1
2H 8975	Rubber Packing	1
2K 3047	Bolts for clip	2
3G 731	Steering Column Draught Excluder Plate—Small	1
3G 3664	Steering Column Draught Excluder Plate—Large	1
6K 9020	Felt for plates	1
2K 3869	Screws	4
2K 1209	Spring Washers	4
6K 9034	Felt Packings	2
6K 9056	Felt Packings	2
4D 3097	Instrument Panel Assembly	1
8H 345	Radiator Muff	1
2H 9530	Buckle and Strap for Petrol Carrier	1
6K 9134	Escutcheons	2
2K 6689	Screws	2
2K 4012	Nuts for screws	2
2K 9660	Plain Washers	2
2K 1209	Spring Washers	2
5C 1671	Woodscrews	2

BUMPERS

Part Number	DESCRIPTION	Number per vehicle
1G 5759	Front Bumper with Towing Hook Brackets	1
1A 5651	Rubber Ferrules	2
2K 6225	Setscrews (large) to frame	2
2K 6227	Setscrews (small) to frame	2
2K 1205	Washers	2
2K 5861	Spring Washers (large setscrews)	2
2K 5863	Spring Washers (small setscrews)	2
1G 5761	Rear Bumper with Towing Eyes	1
2K 6226	Setscrews (large) to frame	2
2K 6227	Setscrews (small) to frame	2
2K 5861	Spring Washers (large setscrews)	2
2K 5863	Spring Washers (small setscrews)	2

MAKER'S NAME AND PART NUMBERS OF PROPRIETARY PARTS
 FITTED TO 10 H.P. W.D. UTILITY CARS (WITH WATER PUMP)
 SUPPLIED UNDER CONTRACT V.3887.

Description.	Austin Part No.	Maker's Type.	Maker's Service No.	Maker's Name.
Air Cleaner	2H 2378	"C"	1527475	A.C.Sphinx
Ammeter	2H 3074	CZ20-L6	364366	Lucas
Batteries (Dry)	2H 3592	STXVW-13E	1615339	Lucas
Carburettor	2H 3569	30-VM-4	—	Zenith
Coil	2H 942	Q12/L	401612	Lucas
Cut-out	2H 2331	RF91/L4	334573	Lucas
Cable Harness	2H 3555	Main	988801	Lucas
Cable Harness	2H 3560	Tail Lamp & Petrol Gauge	988821	Lucas
Distributor	2H 3028	DK4A-BN112	405601	Lucas
Dynamo	2H 1768	C45YV/L	228139	Lucas
Electric Horn	2H 2423	HF.1141	700780B	Lucas
Front Shock Absorber O/S	2H 3536	S77/136Y	—	Lucas
Front Shock Absorber N/S	2H 3537	S77/136X	25122	Tecalemit
Grease Gun and Adaptor	2H 2789	2CH.	25123	Tecalemit
Grease Gun Adaptor	2H 2790	2CH.	—	Lucas
Headlamp—Offside	2H 3547	MD.143	051998B	Lucas
Headlamp—Nearside	2H 3548	MD.143	051997B	Lucas
Headlamp—Offside	2H 3599	MD.140/1	054614B	Lucas
Headlamp—Nearside	2H 3590	MD.140/1	054615B	Lucas
Inspection Lamp	2H 3448	No. 97	614026	Lucas
Inspection Lamp Sockets	2H 2107/8	L1	301186	Lucas
Instrument Lamps and Cable	2H 3236	—	851564	Lucas
Mirror	8H 333	135	621210	Lucas
Oil Gauge	2H 2248	—	X.53483/1	Smith
Panel Light Switch	2H 3418	PS6-L.8	314129	Lucas
Petrol Gauge	2H 2814	—	48588/11	Smith
Petrol Pump	2H 3571	"T"	1524299	Lucas
Rear Shock Absorber O/S	2H 2795	S77/118Y	—	A.C.Sphinx
Rear Shock Absorber N/S	2H 2796	S77/118X	—	Lucas
Side Lamp	2H 3382	J.D.109A	525324A	Lucas
Speedometer	2H 3539	—	53217/6	Lucas
Speedometer Flex	2H 2907	4' 5"	SK52091/2	Smith
Sparking Plug	2H 2621	—	F50X	Smith
Starter Control	2H 3428	—	66/2120	K.L.G.
Stop and Tail Lamp	2H 3394	AT.201	525632A	Annal.
Stop Light Switch	2H 1640	54C	315725	Lucas
Starter Switch	2H 2222	ST10-L	764251	Lucas
Starter, less Switch	2H 1777	M418G/L	255378	Lucas
Switch Box	2H 3424	PLC2-J.74	344910	Lucas
Screen Wiper	2H 8924	SW4/BN112	735244	Lucas
Tank Unit	2H 3303	—	56858	Smith
Tail Lamp Switch	2H 1562	MD6-L7	359863	Lucas
Thermostat	2H 3540	B.V.	X.43452/1	Smith
Thermometer	2H 3542	—	X.20933/31	Smith
Trafficators	4D 3397	SE62.WL	053904	Lucas
Traffic and Horn Switch	2H 2741	BN/10/39	322530	Lucas
Warning Lamp	2H 3417	WL3	031040	Lucas

LIST OF OVERSIZE AND UNDERSIZE PARTS.

Parts* listed below are available in oversize (+) or undersize (-) as shown, in addition to standard.

Description.	Part No.	Size.
Connecting Rod Bearings	1G 691	-010" -020"
Main Bearings	1G 829/ 830	-010" -020"
Pistons with Rings and Gudgeon Pins	G3-92	+005" +1/64" +1/32"
Gudgeon Pins	1G 981	+005" +010"
Piston Rings	1G 939	+005" +1/64" +1/32"
Scraper Rings	1G 940	+005" +1/64" +1/32"

MEMO.

